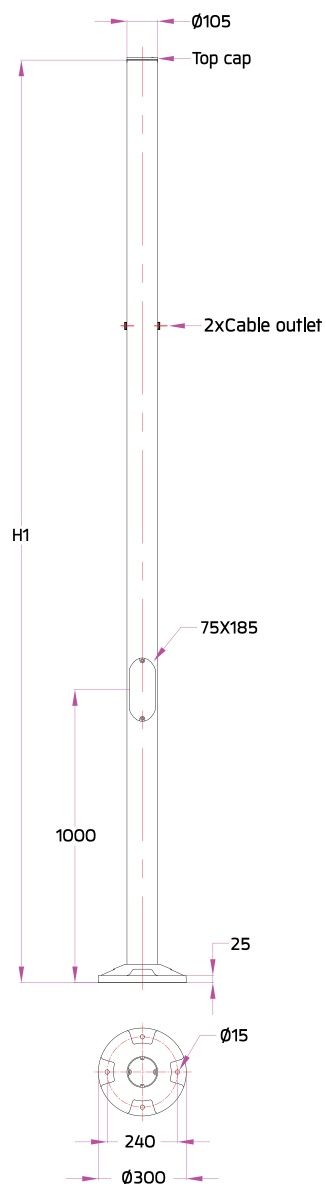


Aluminium Pole



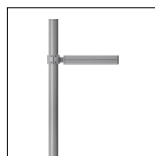
Straight Cylindrical Extruded Aluminium Pole Diameter 105 mm. with Cable Outlets and Top Cap.

| Type | Ordering Code | H1 (mm.) |
|---------------------------------|-----------------|----------|
| 16A Fuse + Prepared for dimming | AUN-POL-0021-XX | 3500 |
| | AUN-POL-0022-XX | 4000 |

Available colors

| | |
|------------------|--|
| Black | [replace the last 2 digits of ordering code with 01] |
| Graphite | [replace the last 2 digits of ordering code with 02] |
| Dark Grey | [replace the last 2 digits of ordering code with 03] |
| Aluminium Silver | [replace the last 2 digits of ordering code with 04] |
| White | [replace the last 2 digits of ordering code with 06] |
| Wooden Brown | [replace the last 2 digits of ordering code with 07] |

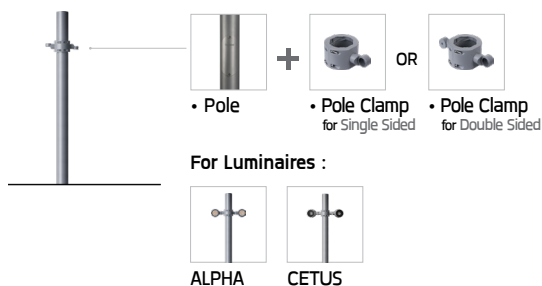
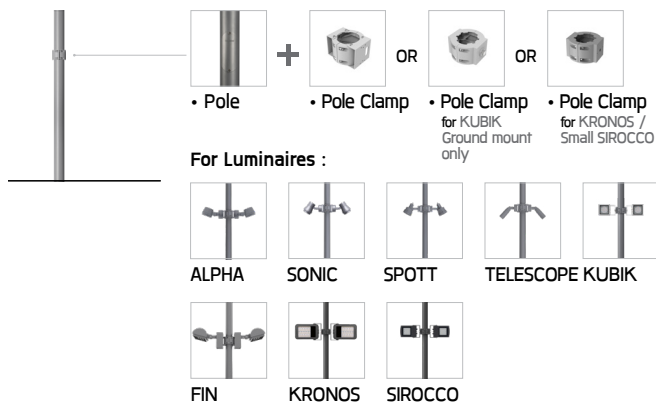
For Luminaires :



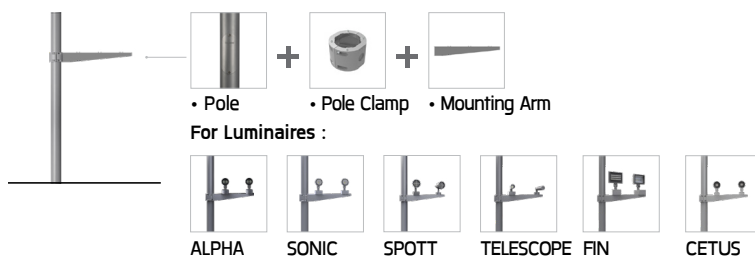
Neo EQUINOX Pole Clamp
Single Sided / Double Sided

Customized Pole Mounting Options :

Option 1 :



Option 2 :



Anchor Bolt Kit for this pole Ordering Code: AUN-ACB-0005-00

