

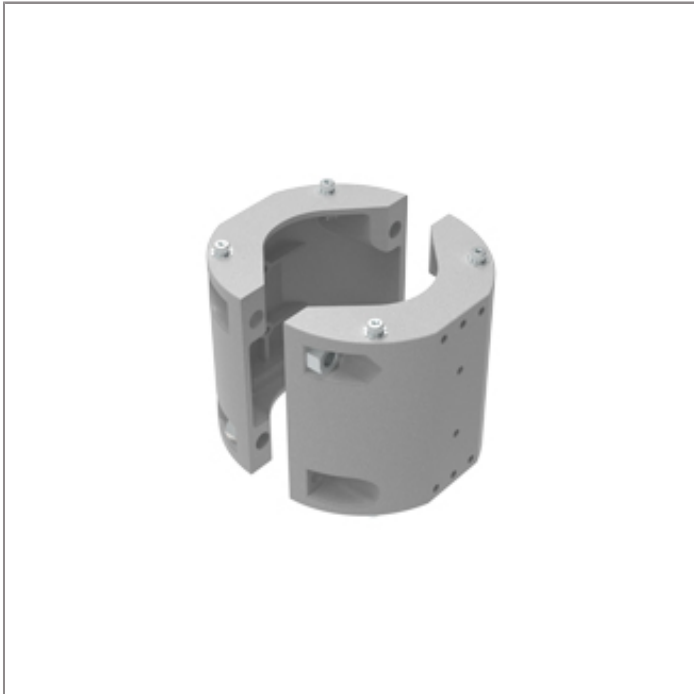
MECHANICAL ACCESSORY

POLE CLAMP, POLE DIAMETER 60-76MM,
FOR WALL OR POLE MOUNTING ARM

ACCESSORY



LAST UPDATE: 19-06-2024



Specification

Ordering Code : AUN-CLP-0009-XX

Material : Aluminum
Length : 102 mm.
Width : 112 mm.
Height : 101 mm.
Net Weight : - kg.
Pre-assembly : N/A

*Due to the constancy of product development,
we reserve the right to alter all specification
without prior notice.

Unilamp Co., Ltd.
461 Ramintra Road, Kannayao, Bangkok 10230 Thailand
Tel : +66(0)2 943 2420-1, +66(0)2 946 4170-1
Fax : +66(0)2 943 2419
online@unilamp.co.th
www.unilamp.co.th