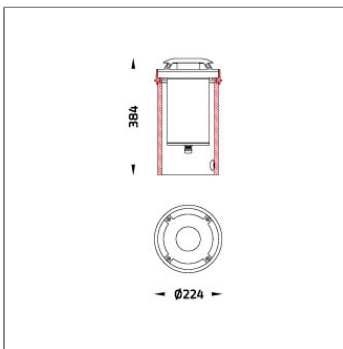




AYERS ground washer luminaires provide the users a low glare multi direction light distribution. The luminaire housing is made of a robust high strength aluminum and includes a GFR polymer recessed housing. The high quality optical mirrored reflector produces a high lumen output in a low silhouette fixture. Reflector designed and optimized by Photopia engineering software plus a COB LED from renowned manufacturers allow AYERS a high intensity sharp light output. The family is available in 2 sizes in one-opening, 2-opening and 4-opening. It is a perfect choice to illuminate ground surfaces. AYERS is supplied with a post-cured durable silicone gasket and pre-wired cable for outdoor application.



### Technical Data



|                       |                    |
|-----------------------|--------------------|
| Ordering Code :       | 9106-0-4-891-XX    |
| Lamp :                | LED                |
| CCT :                 | 4000 K             |
| CRI :                 | CRI >80            |
| SDCM :                | SDCM = 3           |
| Lamp Lumen :          | 3390 lm            |
| Luminaire Lumen :     | 570 lm             |
| Lamp Wattage :        | 23 W               |
| Luminaire Wattage :   | 26 W               |
| Efficacy :            | 21 lm/W            |
| Ambient Temperature : | 40°C               |
| Lumen Maintenance     | L70B10 >90,000 h   |
| Controller :          | DIM 1-10V          |
| Input Voltage :       | 220-240Vac 50/60Hz |
| Net Weight :          | - kg.              |

#### Ordering code guide

XXXX-X-X-XXX-XX

B
D

A
C
E

- A Product Code
- B Reflector
- C Electrical Component
- D Lamp
- E Color



Icon definition



#### Accessories



#### Ordering Code:

AUN-CON-0008-00

IP68 Connector, cable  
diameter 8-10mm,

gel-filled for through wiring  
, 1-10V or DALI