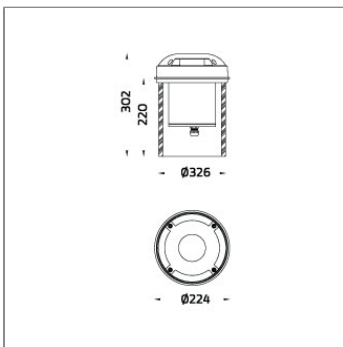




AYERS ground washer luminaires provide the users a low glare multi direction light distribution. The luminaire housing is made of a robust high strength aluminum and includes a GFR polymer recessed housing. The high quality optical mirrored reflector produces a high lumen output in a low silhouette fixture. Reflector designed and optimized by Photopia engineering software plus a COB LED from renowned manufacturers allow AYERS a high intensity sharp light output. The family is available in 2 sizes in one-opening, 2-opening and 4-opening. It is a perfect choice to illuminate ground surfaces. AYERS is supplied with a post-cured durable silicone gasket and pre-wired cable for outdoor application.



### Technical Data



|                       |                    |
|-----------------------|--------------------|
| Ordering Code :       | 9106-0-4-505-XX    |
| Lamp :                | LED                |
| CCT :                 | 2700 K             |
| CRI :                 | CRI >80            |
| SDCM :                | SDCM = 3           |
| Lamp Lumen :          | 2300 lm            |
| Luminaire Lumen :     | 390 lm             |
| Lamp Wattage :        | 16 W               |
| Luminaire Wattage :   | 19 W               |
| Efficacy :            | 20 lm/W            |
| Ambient Temperature : | 25°C               |
| Lumen Maintenance     | L70B10 >90,000 h   |
| Controller :          | DIM 1-10V          |
| Input Voltage :       | 220-240Vac 50/60Hz |
| Net Weight :          | 7.60 kg.           |

#### Ordering code guide

XXXX-X-X-XXX-XX

B
D

A
C
E

- A Product Code
- B Reflector
- C Electrical Component
- D Lamp
- E Color

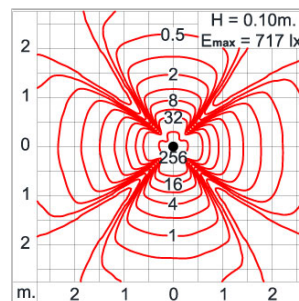
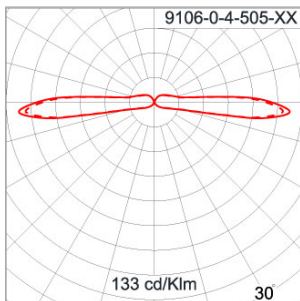


Icon definition

### Specification

|   |  |   |          |   |             |   |              |   |                    |   |          |
|---|--|---|----------|---|-------------|---|--------------|---|--------------------|---|----------|
| IEC Standard  | IEC 60598-1 General Requirement<br>IEC 60598-2-13 Ground Recessed Luminaires   |   |          |   |             |   |              |   |                    |   |          |
| Protection  | IP67 Class I   |   |          |   |             |   |              |   |                    |   |          |
| IK Rating   | Protection against mechanical impact IK10 on body and optical part.  |   |          |   |             |   |              |   |                    |   |          |
| Luminaires Body Housing   | High strength cast aluminum alloy component.<br>Extruded aluminum 56063 alloy body with low copper content.<br>Recessed housing made of GFR polymer.<br>Luminaire withstands a maximum static load of 1000 kg.   |   |          |   |             |   |              |   |                    |   |          |
| Coating Process   | Nano Ceramic surface conversion, resistant to corrosive environment. Luminaire primarily coated with epoxy resin and top coated with UV stabilized polyester powder and cured in digital temperature controlled chamber at 200°C.  |   |          |   |             |   |              |   |                    |   |          |
| Diffuser  | Safety pressed glass cover from Germany.   |   |          |   |             |   |              |   |                    |   |          |
| Reflector   | High performance metallized reflector.   |   |          |   |             |   |              |   |                    |   |          |
| Gasket  | Post-cured treated silicone gasket. Temperature and weather resistant. Working temperature -40°C to +200°C.  |   |          |   |             |   |              |   |                    |   |          |
| External Screws   | External screws are in stainless steel with protection grease.   |   |          |   |             |   |              |   |                    |   |          |
| Cable Entry   | Cable entry protected by M20 cable gland. To be used with H05RN-F/ H07RN-F cable with 7-13mm. diameter.  |   |          |   |             |   |              |   |                    |   |          |
| Led   | High efficiency LED module in COB technology. Assembled on MCPCB and mounted on to heat conductive material.   |   |          |   |             |   |              |   |                    |   |          |
| Driver  | High quality Dimmable Driver (1-10V) in constant current. Conform to applicable safety standards and electromagnetic compatibility.  |   |          |   |             |   |              |   |                    |   |          |
| Internal Wire   | Tinned copper conductor with silicone insulated internal wire. IMQ approved. Working temperature -40°C to +180°C.  |   |          |   |             |   |              |   |                    |   |          |
| Terminal Block  | Terminal block in GFR PA6.6 for cable with cross section up to 2.5 sqmm. VDE approved.<br>Class1 luminaire provided with the earth connection.   |   |          |   |             |   |              |   |                    |   |          |
| Pre-Wire Cable  | Pre-wired with 5-core cable for power (3x1 sqmm.) and dimming signal (2x0.35 sqmm.).   |   |          |   |             |   |              |   |                    |   |          |
| Caution   | Installation work has to be carried on according to the enclosed installation manual.  |   |          |   |             |   |              |   |                    |   |          |
| Color   | The water drainage system must be tested to ensure that it is working sufficiency and efficiency.<br><br><table border="0"> <tr><td></td><td>Black O1</td></tr> <tr><td></td><td>Graphite O2</td></tr> <tr><td></td><td>Dark Grey O3</td></tr> <tr><td></td><td>Aluminum Silver O4</td></tr> <tr><td></td><td>White O6</td></tr> </table> |  | Black O1 |  | Graphite O2 |  | Dark Grey O3 |  | Aluminum Silver O4 |  | White O6 |
|  | Black O1   |   |          |   |             |   |              |   |                    |   |          |
|  | Graphite O2  |   |          |   |             |   |              |   |                    |   |          |
|  | Dark Grey O3   |   |          |   |             |   |              |   |                    |   |          |
|  | Aluminum Silver O4   |   |          |   |             |   |              |   |                    |   |          |
|  | White O6   |   |          |   |             |   |              |   |                    |   |          |

### Light Distribution



#### Accessories



#### Ordering Code:

AUN-CON-0008-00

IP68 Connector, cable  
diameter 8-10mm,

gel-filled for through wiring  
, 1-10V or DALI