

# GRAVITON

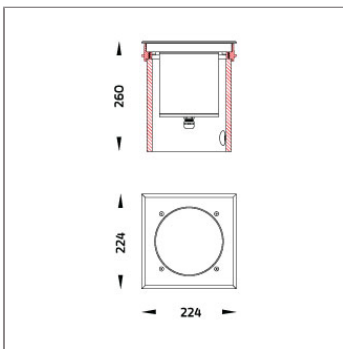
## GRAVITON SQUARE IN-GROUND UPLIGHTER INGROUND



LAST UPDATE: 15-05-2024



GRAVITON is designed for all kind of uplight illumination tasks where high level of illumination is needed. It is able to withstand loads up to 1000KG. The luminaire is fitted with a pre-wired supply cable for in-ground application and internally potted to prevent humidity and condensation. GRAVITON is available with COB LED light source with choices of beam and color temperature. It can be used to illuminate plants, flagpoles, columns, building facades and other architectural works. We highly recommend that the luminaire lay out should be considered during specifying and planning processes.



### Technical Data



|                       |                    |
|-----------------------|--------------------|
| Ordering Code :       | 9092-7-5-506-91    |
| Lamp :                | LED                |
| Beam :                | 48°                |
| CCT :                 | 2700 K             |
| CRI :                 | CRI >80            |
| SDCM :                | SDCM = 3           |
| Lamp Lumen :          | 2300 lm            |
| Luminaire Lumen :     | 1960 lm            |
| Lamp Wattage :        | 16 W               |
| Luminaire Wattage :   | 19 W               |
| Efficacy :            | 103 lm/W           |
| Ambient Temperature : | 50°C               |
| Lumen Maintenance     | L70B10 >90,000 h   |
| Controller :          | DALI               |
| Input Voltage :       | 220-240Vac 50/60Hz |
| Net Weight :          | - kg.              |

### Ordering code guide

XXXX-X-X-XXX-XX  
A B C D E

- A Product Code
- B Reflector
- C Electrical Component
- D Lamp
- E Color



Icon definition

\*Due to the constancy of product development, we reserve the right to alter all specification without prior notice.

Unilamp Co., Ltd.  
461 Ramintra Road, Kannayao, Bangkok 10230 Thailand  
Tel : +66(O)2 943 2420-1, +66(O)2 946 4170-1  
Fax : +66(O)2 943 2419  
online@unilamp.co.th  
www.unilamp.co.th

# GRAVITON

## GRAVITON SQUARE IN-GROUND UPLIGHTER INGROUND

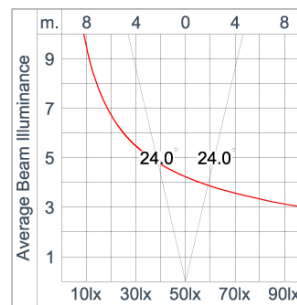
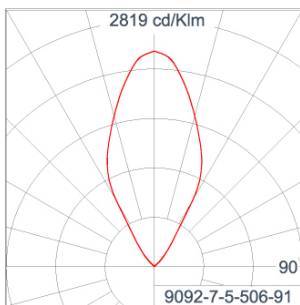


LAST UPDATE: 15-05-2024

### Specification

|                         |                                                                                                                                                                                                                                   |
|-------------------------|-----------------------------------------------------------------------------------------------------------------------------------------------------------------------------------------------------------------------------------|
| IEC Standard            | IEC 60598-1 General Requirement<br>IEC 60598-2-13 Ground Recessed Luminaires                                                                                                                                                      |
| Protection              | IP67 Class I                                                                                                                                                                                                                      |
| IK Rating               | Protection against mechanical impact IK10 on body and optical part.                                                                                                                                                               |
| Luminaires Body Housing | Front cover in 316 stainless steel brush finished.<br>Extruded aluminum 56063 alloy body with low copper content.<br>Recessed housing made of GFR polymer.<br>Luminaire withstands a maximum static load of 2000 kg.              |
| Coating Process         | Nano Ceramic surface conversion, resistant to corrosive environment. Luminaire primarily coated with epoxy resin and top coated with UV stabilized polyester powder and cured in digital temperature controlled chamber at 200°C. |
| Diffuser                | Impact resistant safety tempered glass cover. Able to withstand the temperature up to 250°C. Glass flushes to the front cover, no accumulation of dust and water.                                                                 |
| Reflector               | High performance anodized spun aluminum reflector.                                                                                                                                                                                |
| Gasket                  | Post-cured treated silicone gasket. Temperature and weather resistant. Working temperature -40°C to +200°C.                                                                                                                       |
| External Screws         | External screws are in stainless steel with protection grease.                                                                                                                                                                    |
| Cable Entry             | Cable entry protected by M20 cable gland. To be used with H05RN-F/ H07RN-F cable with 7-13mm. diameter.                                                                                                                           |
| Led                     | High efficiency LED module in COB technology. Assembled on MCPCB and mounted on to heat conductive material.                                                                                                                      |
| Driver                  | High quality DALI Driver in constant current. Conform to applicable safety standards and electromagnetic compatibility.                                                                                                           |
| Internal Wire           | Tinned copper conductor with silicone insulated internal wire. IMQ approved. Working temperature -40°C to +180°C.<br>Class1 luminaire provided with the earth connection.                                                         |
| Pre-Wire Cable          | Pre-wired with 5-core cable for power (3x1 sqmm.) and dimming signal (2x0.35 sqmm.).                                                                                                                                              |
| Caution                 | Installation work has to be carried on according to the enclosed installation manual.<br>The water drainage system must be tested to ensure that it is working sufficiency and efficiency.                                        |

### Light Distribution



\*Due to the constancy of product development,  
we reserve the right to alter all specification  
without prior notice.

Unilamp Co., Ltd.  
461 Ramintra Road, Kannayao, Bangkok 10230 Thailand  
Tel : +66[0]2 943 2420-1, +66[0]2 946 4170-1  
Fax : +66[0]2 943 2419  
online@unilamp.co.th  
www.unilamp.co.th

# GRAVITON

## GRAVITON SQUARE IN-GROUND UPLIGHTER INGROUND

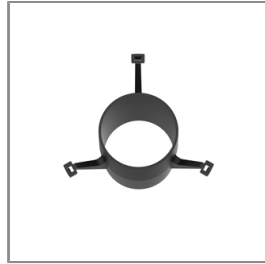


LAST UPDATE: 15-05-2024

### Accessories



Ordering Code:  
AUN-CON-0008-00  
IP68 Connector, cable  
diameter 8-10mm,  
gel-filled for through wiring  
, 1-10V or DALI



Ordering Code:  
AUN-GHS-0025-00  
Glare shield ring, COB

\*Due to the constancy of product development,  
we reserve the right to alter all specification  
without prior notice.

Unilamp Co., Ltd.  
461 Ramintra Road, Kannayao, Bangkok 10230 Thailand  
Tel : +66[0]2 943 2420-1, +66[0]2 946 4170-1  
Fax : +66[0]2 943 2419  
online@unilamp.co.th  
www.unilamp.co.th