

# ATOM

ATOM – CV

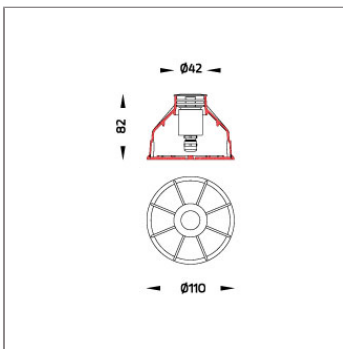
INGROUND



LAST UPDATE: 18-06-2024



ATOM is a ground recess indicator light suitable for above water and under water light application. ATOM has been designed and manufactured at highest attribute. Utilizing CNC lathed stainless steel body presented exceptional aesthetic as well as sleek tough feeling. LED chips and lenses are from world renowned manufacturers. GFR polymer recess kit allows it to be installed in most extreme environment. Ensuring integrity of manufacture ATOM is supplied with a factory fitted pre-wired cable for ease of installation. The Anti-Humidity kit eliminate condensation inside the housing and prolong the life time of the luminaire. An optional IP68 connectors is recommended as an accessory for trouble free installation.



## Technical Data



|                       |                  |
|-----------------------|------------------|
| Ordering Code :       | 9080-A-2-470-91  |
| Lamp :                | LED              |
| Beam :                | 15°              |
| CCT :                 | 3000 K           |
| CRI :                 | CRI >90          |
| SDCM :                | SDCM = 3         |
| Lamp Lumen :          | 190 lm           |
| Luminaire Lumen :     | 140 lm           |
| Lamp Wattage :        | 2 W[12Vdc/24Vdc] |
| Luminaire Wattage :   | 2.0 W            |
| Efficacy :            | 70 lm/W          |
| Ambient Temperature : | 50°C             |
| Controller :          | Remote           |
| Input Voltage :       | 12Vdc/24Vdc      |
| Net Weight :          | 0.40 kg.         |

### Ordering code guide

XXXX-X-X-XXX-XX

A B C D E

- A Product Code
- B Reflector
- C Electrical Component
- D Lamp
- E Color



Icon definition

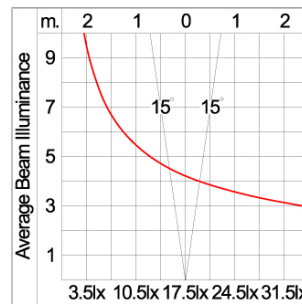
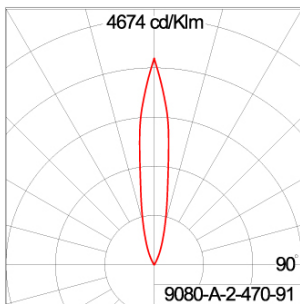
\*Due to the constancy of product development, we reserve the right to alter all specification without prior notice.

Unilamp Co., Ltd.  
461 Ramintra Road, Kannayao, Bangkok 10230 Thailand  
Tel : +66(O)2 943 2420-1, +66(O)2 946 4170-1  
Fax : +66(O)2 943 2419  
online@unilamp.co.th  
www.unilamp.co.th

### Specification

|                         |  |
|-------------------------|--|
| IEC Standard            | IEC 60598-1 General Requirement<br>IEC 60598-2-13 Ground Recessed Luminaires   |
| Protection              | IP68 Class III   |
| IK Rating               | Protection against mechanical impact IK10 on body and IK07 on optical part.  |
| Luminaires Body Housing | Supreme corrosion proof Under Water grade Stainless Steel.<br>Recessed housing made of GFR polymer.<br>Luminaire withstands a maximum static load of 500 kg.                               |
| Diffuser                | Impact resistant safety tempered glass cover. Able to withstand the temperature up to 250°C.   |
| Lens                    | Molded PC lens from renowned manufacturers in various light distribution patterns.   |
| Gasket                  | Post-cured treated silicone gasket. Temperature and weather resistant. Working temperature -40°C to +200°C.  |
| External Screws         | External screws are in stainless steel with protection grease.   |
| Cable Entry             | Cable entry protected by M12 cable gland. To be used with H05RN-F/ H07RN-F cable with 4-7mm. diameter.   |
| Led                     | High efficiency LED module utilized chips from world renowned manufacturer. Assembled on MCPCB and mounted on to heat conductive material.   |
| Driver                  | Driver is not included and has to be ordered separately.   |
| Internal Wire           | Tinned copper conductor with silicone insulated internal wire. IMQ approved. Working temperature -40°C to +180°C.  |
| Pre-Wire Cable          | Pre-wired with 2x1.0 sqmm. H05RN-F neoprene cable. IMQ approved.   |
| Caution                 | Installation work has to be carried on according to the enclosed installation manual.<br>The water drainage system must be tested to ensure that it is working sufficiency and efficiency. |

### Light Distribution



# ATOM

ATOM – CV

INGROUND



LAST UPDATE: 18-06-2024

## Accessories



Ordering Code:  
AUN-DRG-0114-01  
LED constant voltage  
driver, 12VDC, 12W, with  
IP67 GFR polymer  
enclosure



Ordering Code:  
AUN-SOF-0055-00  
Softening filter, LED,  
pre-assembly from factory



Ordering Code:  
AUN-DRG-0011-00  
LED constant voltage  
driver, 24VDC, 150W



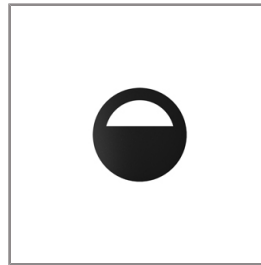
Ordering Code:  
AUN-CON-0024-00  
IP68 Connector, cable  
diameter 4.8-6mm,  
gel-filled



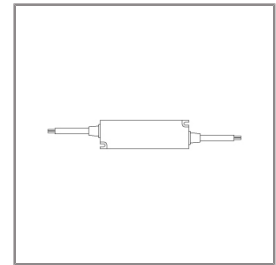
Ordering Code:  
AUN-DRG-0024-00  
LED constant voltage  
driver, 24VDC, 200W



Ordering Code:  
AUN-DRG-0027-00  
LED constant voltage  
driver, 24VDC, 72W



Ordering Code:  
AUN-MIS-0020-01  
Eyelid, pre-assembly from  
factory



Ordering Code:  
AUN-DRG-0118-00  
LED constant voltage  
driver, 24VDC, 30W

\*Due to the constancy of product development,  
we reserve the right to alter all specification  
without prior notice.

Unilamp Co., Ltd.  
461 Ramintra Road, Kannayao, Bangkok 10230 Thailand  
Tel : +66[0]2 943 2420-1, +66[0]2 946 4170-1  
Fax : +66[0]2 943 2419  
online@unilamp.co.th  
www.unilamp.co.th