

ARC

MINI ARC

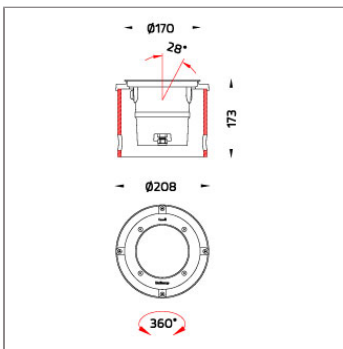
INGROUND LIGHT



LAST UPDATE: 26-02-2026



ARC – the adjustable walkover inground-uplighter. ARC incorporates a unique aiming mechanism that is adjustable from the outside of the fixture using a standard screwdriver or hexagon key. This key benefit means the installer doesn't need to open the luminaire or remove it from the ground for adjustment. Final commissioning and aiming are carried out while the product is still sitting in the ground block-out. The housing is enhanced LM6 aluminium, and the front cover plate comes in stainless steel. ARC offers outstanding beam quality with high contrast and precise control. The luminaire is fitted with a pre-wired supply cable for inground application and internally potted to prevent humidity and condensation.



Technical Data



Ordering Code :	9059-D-5-529-91
Lamp :	LED
Beam :	46°
CCT :	3000 K
CRI :	CRI >80
SDCM :	SDCM = 3
Lamp Lumen :	1490 lm
Luminaire Lumen :	1120 lm
Lamp Wattage :	14 W
Luminaire Wattage :	16 W
Efficacy :	70 lm/W
Ambient Temperature :	25°C
Lumen Maintenance	L80B10 >108,000 h
Controller :	DALI
Input Voltage :	220-240Vac 50/60Hz
Net Weight :	- kg.

Ordering code guide

XXXX-X-X-XXX-XX
A B C D E

- A Product Code
- B Reflector
- C Electrical Component
- D Lamp
- E Color



Icon definition

*Due to the constancy of product development, we reserve the right to alter all specification without prior notice.

Unilamp Co., Ltd.
461 Ramintra Road, Kannayao, Bangkok 10230 Thailand
Tel : +66(O)2 943 2420-1, +66(O)2 946 4170-1
Fax : +66(O)2 943 2419
online@unilamp.co.th
www.unilamp.co.th

ARC

MINI ARC

INGROUND LIGHT

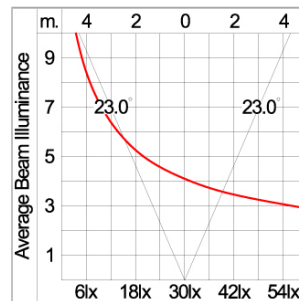
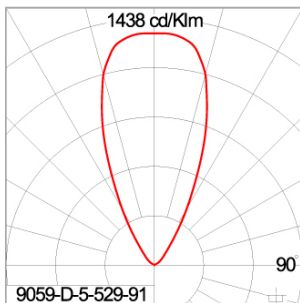


LAST UPDATE: 26-02-2026

Specification

IEC Standard	IEC 60598-1 General Requirement IEC 60598-2-13 Ground Recessed Luminaires
Protection	IP67 Class I
IK Rating	Protection against mechanical impact IK10 on body and optical part.
Luminaires Body Housing	Durable high-pressure die-cast aluminum alloy for excellent mechanical performance. Brushed 316 stainless steel front cover for a sleek and durable finish. Recessed housing made from impact-resistant GFR polymer for durability. Engineered for high durability with a 1000 kg static load capacity.
Coating Process	The luminaire undergoes a Nano Ceramic surface conversion, making it highly resistant to corrosive environments. It is primarily coated with a durable epoxy resin and finished with a UV-stabilized polyester powder top coat. The coating process is completed by curing the luminaire in a digitally controlled temperature chamber at 200°C, ensuring exceptional durability and long-lasting protection aga
Diffuser	Impact-resistant tempered glass designed for high-temperature environments. Seamless flush glass design prevents dust and water accumulation.
Lens	Optically engineered molded PMMA lens designed for multiple light distribution needs.
Adjustable Optic	Adjustable optics designed for versatile lighting applications.
Gasket	Advanced post-cured silicone gasket offering superior weather and thermal resistance (-40°C to +200°C).
External Screws	Durable stainless steel screws with anti-corrosion grease for extended lifespan.
Cable Entry	M16 cable gland for secure cable entry, compatible with H05RN-F/H07RN-F cables (5-10mm).
Led	Premium LED module with top-tier chips, mounted on MCPCB for heat efficiency.
Driver	DALI constant current LED driver ensuring EMC compliance and safety reliability.
Internal Wire	Reliable silicone-insulated tinned copper internal wire, designed for -40°C to +180°C.
Terminal Block	Grounded Class 1 luminaire ensuring proper earthing for secure operation.
Pre-Wire Cable	Multi-core pre-wired cable [3x1 sqmm power, 2x1.0 sqmm dimming], ensuring seamless operation.
Caution	Installation must be performed as per the provided installation instructions. Confirm water drainage system effectiveness before installation.

Light Distribution



*Due to the constancy of product development, we reserve the right to alter all specification without prior notice.

Unilamp Co., Ltd.
461 Ramintra Road, Kannayao, Bangkok 10230 Thailand
Tel : +66(0)2 943 2420-1, +66(0)2 946 4170-1
Fax : +66(0)2 943 2419
online@unilamp.co.th
www.unilamp.co.th

ARC

MINI ARC

INGROUND LIGHT



LAST UPDATE: 26-02-2026

Accessories



Ordering Code:
AUN-CON-0008-00
IP68 Connector, cable
diameter 8-10mm,
gel-filled for through wiring
, 1-10V or DALI



Ordering Code:
AUN-GSH-0008-00
Honeycomb louver, LED,
pre-assembly from factory



Ordering Code:
AUN-SOF-0022-00
Softening filter, LED,
pre-assembly from factory



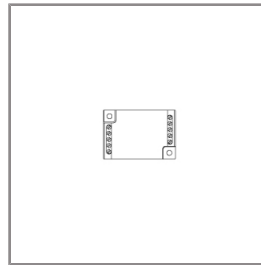
Ordering Code:
AUN-CON-0011-00
IP68 connection device,
cable diameter 7.1-13mm,
1-10V or DALI



Ordering Code:
AUN-CON-0012-00
IP68 connection device 5
pole, cable diameter
7.1-13mm, with distribution
block , 1-10V or DALI



Ordering Code:
AUN-CON-0014-00
IP68 connection device,
cable diameter 8-12.5mm,
1-10V or DALI



Ordering Code:
AUN-SUR-0006-00
Surge protection, 10kV,
DALI, pre-assembly from
factory

*Due to the constancy of product development,
we reserve the right to alter all specification
without prior notice.

Unilamp Co., Ltd.
461 Ramintra Road, Kannayao, Bangkok 10230 Thailand
Tel : +66[0]2 943 2420-1, +66[0]2 946 4170-1
Fax : +66[0]2 943 2419
online@unilamp.co.th
www.unilamp.co.th