

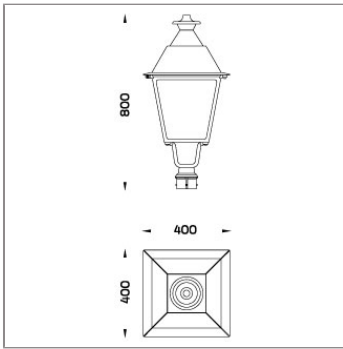
SOMERSET

SOMERSET

POLE MOUNTED LIGHT



LAST UPDATE: 18-06-2026



Step back in time with the SOMERSET, a Victorian-inspired LED post-top/wall mount luminaire that brings timeless beauty to modern lighting. Its ornate details and classic silhouette capture the elegance of a past era, making it the perfect choice for period homes, historic districts, and any landscape seeking a touch of vintage charm. The SOMERSET provides bright, efficient illumination for gardens, parks, pedestrian walkways, and more, all while maintaining a sense of refined sophistication. Built to last with high-durability materials, it withstands the elements and installs easily on 76 mm diameter posts or wall brackets.

Technical Data



Ordering Code :	7738-L-3-003-XX
Lamp :	LED
Beam :	T5 - Wide Symmetric
CCT :	3000 K
CRI :	CRI >80
SDCM :	SDCM = 5
Luminaire Lumen :	3900 lm
Luminaire Wattage :	40 W
Efficacy :	97 lm/W
Ambient Temperature :	50°C
Lumen Maintenance	L70B10 >147,000 h (@25°C)
Controller :	On-Off
Input Voltage :	220-240Vac 50/60Hz
Net Weight :	7.00 kg.

Ordering code guide

XXXX-X-X-XXX-XX
A B C D E

- A Product Code
- B Reflector
- C Electrical Component
- D Lamp
- E Color



Icon definition

*Due to the constancy of product development, we reserve the right to alter all specification without prior notice.

Unilamp Co., Ltd.
461 Ramintra Road, Kannayao, Bangkok 10230 Thailand
Tel : +66(0)2 943 2420-1, +66(0)2 946 4170-1
Fax : +66(0)2 943 2419
online@unilamp.co.th
www.unilamp.co.th

SOMERSET

SOMERSET

POLE MOUNTED LIGHT

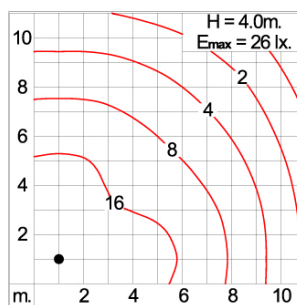
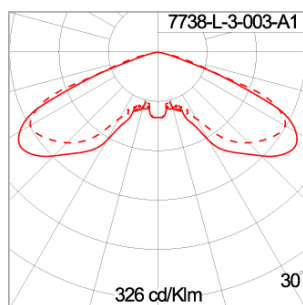


LAST UPDATE: 18-06-2026

Specification

IEC Standard	IEC 60598-1 General Requirement IEC 60598-2-1 Fixed Luminaires												
Protection	IP66 Class I												
IK Rating	Protection against mechanical impact IK08												
Luminaires Body Housing	Durable high-pressure die-cast aluminum alloy for excellent mechanical performance.												
Coating Process	The luminaire undergoes a Nano Ceramic surface conversion, making it highly resistant to corrosive environments. It is primarily coated with a durable epoxy resin and finished with a UV-stabilized polyester powder top coat. The coating process is completed by curing the luminaire in a digitally controlled temperature chamber at 200°C, ensuring exceptional durability and long-lasting protection aga												
Lens	Advanced molded PC lens offering diverse light distribution patterns.												
Gasket	Temperature-resistant silicone gasket engineered for durability in harsh conditions [-40°C to +200°C].												
External Screws	Durable stainless steel screws with anti-corrosion grease for extended lifespan.												
Cable Entry	M16 cable gland for secure cable entry, compatible with H05RN-F/H07RN-F cables [5-10mm].												
Led	Premium LED module with top-tier chips, mounted on MCPCB for heat efficiency.												
Driver	Certified constant current LED driver meeting all EMC and safety requirements.												
Enhanced Protection	Integrated 10kV surge protection with LED status indicator, compliant with IEC61643-11. Pressure equalization element ensuring optimal performance in varying conditions.												
Internal Wire	Reliable silicone-insulated tinned copper internal wire, designed for -40°C to +180°C.												
Pre-Wire Cable	Certified pre-wired 3x0.1.0 sqmm cable, featuring H07RN-F neoprene insulation.												
Caution	Installation must be performed as per the provided installation instructions.												
Color	<table><tr><td></td><td>Black A1</td></tr><tr><td></td><td>Graphite C2</td></tr><tr><td></td><td>Dark Grey C3</td></tr><tr><td></td><td>Aluminum Silver C4</td></tr><tr><td></td><td>White C6</td></tr><tr><td></td><td>Corten C8</td></tr></table>		Black A1		Graphite C2		Dark Grey C3		Aluminum Silver C4		White C6		Corten C8
	Black A1												
	Graphite C2												
	Dark Grey C3												
	Aluminum Silver C4												
	White C6												
	Corten C8												

Light Distribution



*Due to the constancy of product development, we reserve the right to alter all specification without prior notice.

Unilamp Co., Ltd.
461 Ramintra Road, Kannayao, Bangkok 10230 Thailand
Tel : +66[0]2 943 2420-1, +66[0]2 946 4170-1
Fax : +66[0]2 943 2419
online@unilamp.co.th
www.unilamp.co.th

SOMERSET

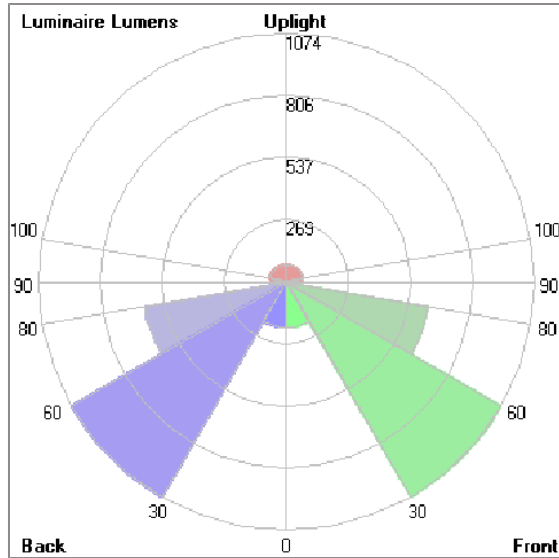
SOMERSET

POLE MOUNTED LIGHT



LAST UPDATE: 18-06-2026

Bug Report



Lum. Classification System (LCS)

LCS	Zone	%Lumens	%Lamp	%Lum
FL	[0-30]	198.5	5.1	5.1
FM	[30-60]	1074.4	27.5	27.5
FH	[60-80]	623.3	16.0	16.0
FVH	[80-90]	12.0	0.3	0.3
BL	[0-30]	198.5	5.1	5.1
BM	[30-60]	1074.4	27.5	27.5
BH	[60-80]	623.3	16.0	16.0
BVH	[80-90]	12.0	0.3	0.3
UL	[90-100]	11.5	0.3	0.3
UH	[100-180]	72.6	1.9	1.9
Total		3900.5	100.0	100.0
BUG Rating		B2-U3-G1		

*Due to the constancy of product development, we reserve the right to alter all specification without prior notice.

Unilamp Co., Ltd.
461 Ramintra Road, Kannayao, Bangkok 10230 Thailand
Tel : +66[0]2 943 2420-1, +66[0]2 946 4170-1
Fax : +66[0]2 943 2419
online@unilamp.co.th
www.unilamp.co.th

SOMERSET

SOMERSET

POLE MOUNTED LIGHT



LAST UPDATE: 18-06-2026

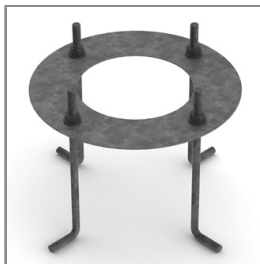
Accessories



Ordering Code: POLE
Please contact Sales
Representative



Ordering Code:
AUN-ACB-0008-00
Anchor bolt kit, pole
diameter 102mm and
151x102mm, galvanized
steel pole



Ordering Code:
AUN-ACB-0005-00
Anchor bolt kit, aluminum
pole



Ordering Code:
AUN-BRK-0018-XX
Wall or pole mounting arm

*Due to the constancy of product development,
we reserve the right to alter all specification
without prior notice.

Unilamp Co., Ltd.
461 Ramintra Road, Kannayao, Bangkok 10230 Thailand
Tel : +66[0]2 943 2420-1, +66[0]2 946 4170-1
Fax : +66[0]2 943 2419
online@unilamp.co.th
www.unilamp.co.th