

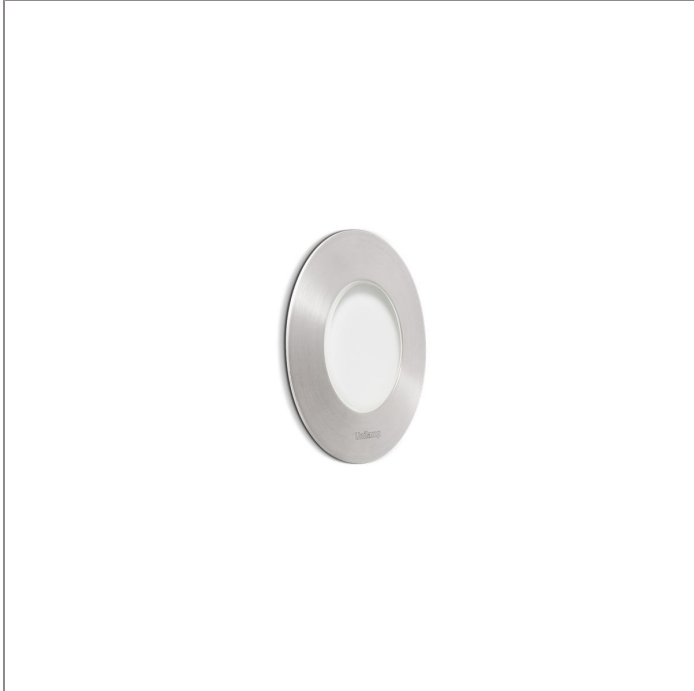
# ATOM

ATOM – CC

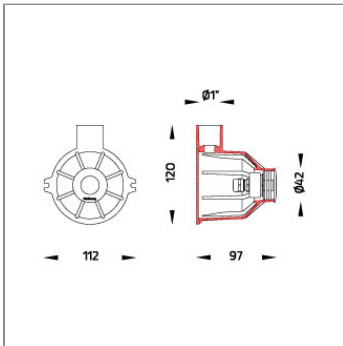
UNDERWATER

 **Unilamp**

LAST UPDATE: 13-05-2024



ATOM is a ground recess indicator light suitable for above water and under water light application. ATOM has been designed and manufactured at highest attribute. Utilizing CNC lathed stainless steel body presented exceptional aesthetic as well as sleek tough feeling. LED chips and lenses are from world renowned manufacturers. GFR polymer recess kit allows it to be installed in most extreme environment. Ensuring integrity of manufacture ATOM is supplied with a factory fitted pre-wired cable for ease of installation. The Anti-Humidity kit eliminate condensation inside the housing and prolong the life time of the luminaire. An optional IP68 connectors is recommended as an accessory for trouble free installation.



## Technical Data



Ordering Code :	7481-0-2-993-91
Lamp :	LED
CCT :	Green
CRI :	CRI >80
SDCM :	SDCM = 3
Lamp Lumen :	158 lm
Luminaire Lumen :	23 lm
Lamp Wattage :	2.3 W(700mA)
Luminaire Wattage :	2.3 W
Efficacy :	10 lm/W
Ambient Temperature :	50°C
Lumen Maintenance	L70B10 >60,000 h
Controller :	Remote
Input Voltage :	700mA, 3.25Vdc, Uin max 30Vdc
Net Weight :	0.40 kg.

### Ordering code guide

XXXX-X-X-XXX-XX

A B C D E

- A Product Code
- B Reflector
- C Electrical Component
- D Lamp
- E Color



Icon definition

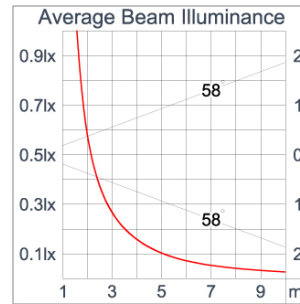
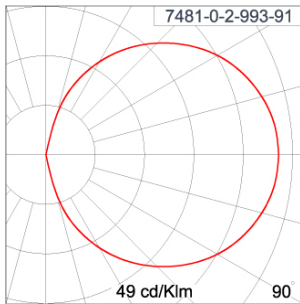
\*Due to the constancy of product development, we reserve the right to alter all specification without prior notice.

Unilamp Co., Ltd.  
461 Ramintra Road, Kannayao, Bangkok 10230 Thailand  
Tel : +66(O)2 943 2420-1, +66(O)2 946 4170-1  
Fax : +66(O)2 943 2419  
online@unilamp.co.th  
www.unilamp.co.th

### Specification

IEC Standard	IEC 60598-1 General Requirement IEC 60598-2-18 Luminaires for Swimming Pools
Protection	IP68 Class III
IK Rating	Protection against mechanical impact IK10 on body and IK07 on optical part.
Luminaires Body Housing	Supreme corrosion proof Under Water grade Stainless Steel. Recessed housing made of GFR polymer.
Diffuser	Impact resistant safety tempered glass cover. Able to withstand the temperature up to 250°C.
Gasket	Post-cured treated silicone gasket. Temperature and weather resistant. Working temperature -40°C to +200°C.
External Screws	External screws are in stainless steel with protection grease.
Cable Entry	Cable entry protected by M12 cable gland. To be used with H05RN-F/ H07RN-F cable with 4-7mm. diameter.
Led	High efficiency LED module utilized chips from world renowned manufacturer. Assembled on MCPCB and mounted on to heat conductive material.
Driver	Driver is not included and has to be ordered separately.
Internal Wire	Tinned copper conductor with silicone insulated internal wire. IMQ approved. Working temperature -40°C to +180°C.
Pre-Wire Cable	Pre-wired with 2x1.0 sqmm. H05RN-F neoprene cable. IMQ approved.
Caution	Installation work has to be carried on according to the enclosed installation manual. The water drainage system must be tested to ensure that it is working sufficiency and efficiency.

### Light Distribution



# ATOM

ATOM – CC

UNDERWATER

 **Unilamp**

LAST UPDATE: 13-05-2024

## Accessories



Ordering Code:  
AUN-GOP-0101-01  
LED Constant Current  
Driver 700mA 4W. In IP67  
GFR Polymer Box (On-Off)



Ordering Code:  
AUN-COV-0002-00  
LED Converter input  
12-24Vdc output 700mA  
DALI In IP67 GFR Polymer  
Box (On-Off)



Ordering Code:  
AUN-DRG-0012-00  
LED Constant Current  
Driver 700mA 20W. In IP67  
GFR Polymer Box (DALI)  
Including IP68  
Series-Wiring



Ordering Code:  
AUN-CON-0024-00  
Gel-Filled IP68 Connector  
Cable Diameter 4.8 - 6mm.

\*Due to the constancy of product development,  
we reserve the right to alter all specification  
without prior notice.

Unilamp Co., Ltd.  
461 Ramintra Road, Kannayao, Bangkok 10230 Thailand  
Tel : +66(0)2 943 2420-1, +66(0)2 946 4170-1  
Fax : +66(0)2 943 2419  
online@unilamp.co.th  
www.unilamp.co.th