

ACQUA

ACQUA

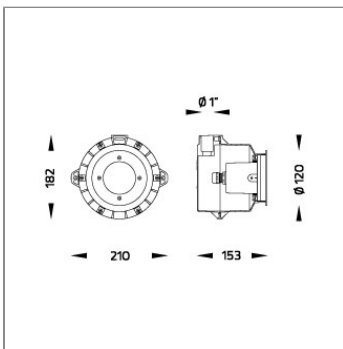
UNDERWATER

 **Unilamp**

LAST UPDATE: 18-06-2024



A family of recessed and surface mounted under water luminaires which are commonly used to illuminate swimming pools, decorative pools and fountains. Accessories include several watertight connecting devices. ACQUA1 utilizes high power LED in 2700K, 3000K or 4000K and high quality optical lenses offering narrow, medium, wide and elliptical beam. Version with GU5.3 lamp holder for MR16 Led retrofit lamps is also available. To avoid installation issues and add another level of safety, ACQUA1 is pre-wired and is fitted with an anti-condensation device. To avoid over-heating of the luminaire body, ACQUA1 must be operated in a submersible state at all time. The marine grade 316 stainless steel body guarantees corrosion free appearance throughout the life time. We highly recommend that the luminaire lay out should be considered during specifying and planning processes. Installation work must be carried out under national safety regulations.



Technical Data



| | |
|-----------------------|------------------|
| Ordering Code : | 7416-0-2-281-92 |
| Lamp : | QR-CB51 |
| Socket : | GU5.3 |
| Beam : | 10°, 38° |
| CCT : | 3200 K |
| Lamp Lumen : | 8500 cd, 1500 cd |
| Luminaire Lumen : | 990 lm |
| Lamp Wattage : | 50 W |
| Ambient Temperature : | 25°C |
| Controller : | Remote |
| Input Voltage : | 12Vac 50/60Hz |
| Net Weight : | 1.80 kg. |

Ordering code guide

XXXX-X-X-XXX-XX
A B C D E

A Product Code
B Reflector
C Electrical Component
D Lamp
E Color



Icon definition

*Due to the constancy of product development, we reserve the right to alter all specification without prior notice.

Unilamp Co., Ltd.
461 Ramintra Road, Kannayao, Bangkok 10230 Thailand
Tel : +66(O)2 943 2420-1, +66(O)2 946 4170-1
Fax : +66(O)2 943 2419
online@unilamp.co.th
www.unilamp.co.th

ACQUA

ACQUA

UNDERWATER

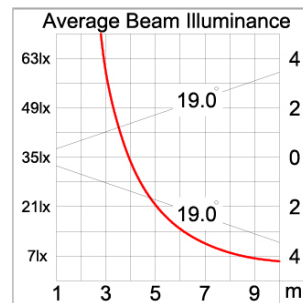
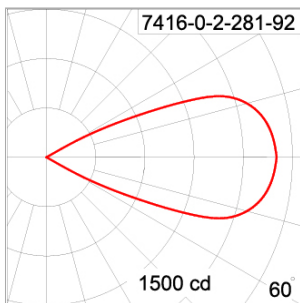


LAST UPDATE: 18-06-2024

Specification

| | |
|-------------------------|--|
| IEC Standard | IEC 60598-1 General Requirement IEC 60598-2-18 Luminaires for Swimming Pools |
| Protection | IP68 Class III |
| IK Rating | Protection against mechanical impact IK10 on body and IK09 on optical part. |
| Luminaires Body Housing | Supreme corrosion proof Under Water grade Stainless Steel. Full body polish finished. Wall recessed housing made of GFR polymer. |
| Diffuser | Impact resistant safety tempered glass cover. Able to withstand the temperature up to 250°C. |
| Gasket | Post-cured treated silicone gasket. Temperature and weather resistant. Working temperature -40°C to +200°C. |
| External Screws | Marine grade 316 stainless steel screw. |
| Cable Entry | Cable entry protected by M16 cable gland. To be used with H05RN-F/ H07RN-F cable with 5-10mm. diameter. |
| Lamp Holder | GU5.3 lampholder in ceramic body. IMQ/ ENEC approved. |
| Ballast | Control gear is not included and has to be ordered separately. |
| Pre-Wire Cable | Pre-wired with 2x1.0 sqmm. H07RN-F neoprene cable. IMQ approved. |
| Caution | Installation work has to be carried on according to the enclosed installation manual. The water drainage system must be tested to ensure that it is working sufficiency and efficiency. |

Light Distribution



*Due to the constancy of product development,
we reserve the right to alter all specification
without prior notice.

Unilamp Co., Ltd.
461 Ramintra Road, Kannayao, Bangkok 10230 Thailand
Tel : +66(0)2 943 2420-1, +66(0)2 946 4170-1
Fax : +66(0)2 943 2419
online@unilamp.co.th
www.unilamp.co.th

ACQUA

ACQUA

UNDERWATER

 **Unilamp**

LAST UPDATE: 18-06-2024

Accessories



Ordering Code:
AUN-DRG-0115-01
Electronic Transformer,
12V, 20-60W, with IP67
GFR polymer enclosure



Ordering Code:
AUN-CON-0004-00
IP68 Connector, cable
diameter 8-10mm,
gel-filled



Ordering Code:
AUN-CON-0003-00
IP68 Connector, cable
diameter 8-10mm,
gel-filled for through wiring

*Due to the constancy of product development,
we reserve the right to alter all specification
without prior notice.

Unilamp Co., Ltd.
461 Ramintra Road, Kannayao, Bangkok 10230 Thailand
Tel : +66[0]2 943 2420-1, +66[0]2 946 4170-1
Fax : +66[0]2 943 2419
online@unilamp.co.th
www.unilamp.co.th