

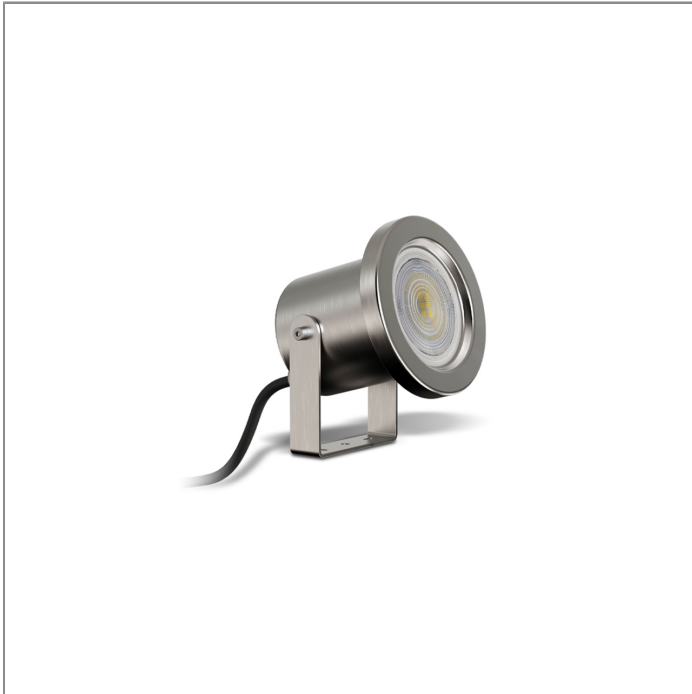
NIXIE

NIXIE

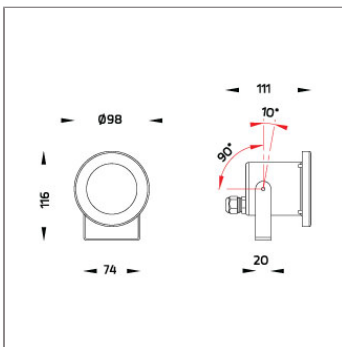
UNDERWATER



LAST UPDATE: 10-09-2024



NIXIE is a range of stainless steel luminaires designed to be operated underwater. NIXIE Spotlight is made from 316 grade stainless steel and suitable for a wide range of low voltage retrofit LED lamps with GU5.3 socket. Equipped with a 1.5m long neoprene cable and epoxy potted cable entry. The spotlight is designed for permanent submersion in chlorinated swimming pools up to a depth of 1.5m.



Technical Data



Ordering Code :	7402-0-2-281-91
Lamp :	MR16 or LED Retrofit
Socket :	GU5.3
Lamp Wattage :	10W
Ambient Temperature :	25°C
Controller :	On-Off
Input Voltage :	12Vac 50/60Hz
Net Weight :	- kg.

Ordering code guide

XXXX-X-X-XXX-XX
A B C D E

- A Product Code
- B Reflector
- C Electrical Component
- D Lamp
- E Color



Icon definition

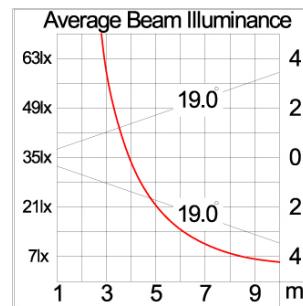
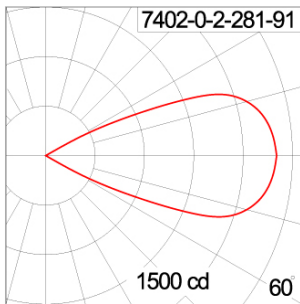
*Due to the constancy of product development, we reserve the right to alter all specification without prior notice.

Unilamp Co., Ltd.
461 Ramintra Road, Kannayao, Bangkok 10230 Thailand
Tel : +66(0)2 943 2420-1, +66(0)2 946 4170-1
Fax : +66(0)2 943 2419
online@unilamp.co.th
www.unilamp.co.th

Specification

IEC Standard	IEC 60598-1 General Requirement IEC 60598-2-18 Luminaires for Swimming Pools
Protection	IP68 Class III
IK Rating	IK08
Luminaires Body Housing	Corrosion resistant Deep-Drawn stainless steel housing 316 grade.
Diffuser	Tempered safety glass cover
Gasket	Durable silicone gasket
External Screws	External screws made of stainless steel
Lamp Holder	GU5.3 lampholder
Pre-Wire Cable	Pre-wired with 2x1.0mm. cable
Caution	Installation work has to be carried on according to the enclosed installation manual.

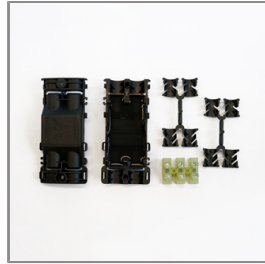
Light Distribution



Accessories



Ordering Code:
AUN-CON-0004-00
IP68 Connector, cable
diameter 8-10mm,
gel-filled



Ordering Code:
AUN-CON-0003-00
IP68 Connector, cable
diameter 8-10mm,
gel-filled for through wiring