

# ANDROMEDA

MINI ANDROMEDA – DS

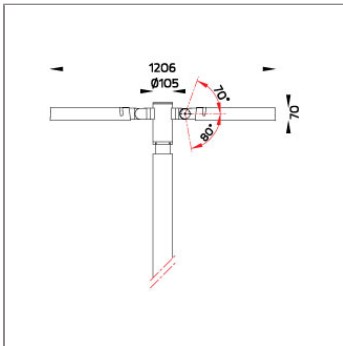
POLE MOUNTED



LAST UPDATE: 10-05-2024



ANDROMEDA is a round-shaped robust outdoor luminaire for public space illumination. The housing is made of corrosion resistant LM6 die-cast aluminium and is passivated with Nano Ceramic layer then coated with primer and super durable Polyester powder paint. ANDROMEDA is equipped with high power LEDs with high CRI in 3000K or 4000K color temperature with 3 SDCM. It offers perfectly engineered light distributions for various lighting applications such as area lighting, car parks, open spaces and façade lighting. ANDROMEDA fulfills the dark sky requirement and is free from light pollution. The heat management has been delicately designed and tested under high ambient thermal condition. An integrated scale allows precise aiming of the luminaire to achieve the desired illumination level. The recommended mounting height is between 4 – 8 meters depending on the application. Available as an option are Aluminium Poles, Galvanized steel poles and anchorage unit for concrete foundations.



## Technical Data



|                       |                    |
|-----------------------|--------------------|
| Ordering Code :       | 7298-3-5-862-XX    |
| Lamp :                | LED                |
| Beam :                | 95°/20°            |
| CCT :                 | 4000 K             |
| CRI :                 | CRI >80            |
| SDCM :                | SDCM = 3           |
| Lamp Lumen :          | 2x11580 lm         |
| Luminaire Lumen :     | 18700 lm           |
| Lamp Wattage :        | 2x81 W             |
| Luminaire Wattage :   | 174 W              |
| Efficacy :            | 107 lm/W           |
| Ambient Temperature : | 50°C               |
| Lumen Maintenance     | L70B10 >66,000 h   |
| Controller :          | DALI               |
| Input Voltage :       | 220-240Vac 50/60Hz |
| Net Weight :          | 18.52 kg.          |

### Ordering code guide

XXXX-X-X-XXX-XX

A B C D E

- A Product Code
- B Reflector
- C Electrical Component
- D Lamp
- E Color



Icon definition

\*Due to the constancy of product development, we reserve the right to alter all specification without prior notice.

Unilamp Co., Ltd.  
461 Ramintra Road, Kannayao, Bangkok 10230 Thailand  
Tel : +66(0)2 943 2420-1, +66(0)2 946 4170-1  
Fax : +66(0)2 943 2419  
online@unilamp.co.th  
www.unilamp.co.th

# ANDROMEDA

## MINI ANDROMEDA – DS

### POLE MOUNTED

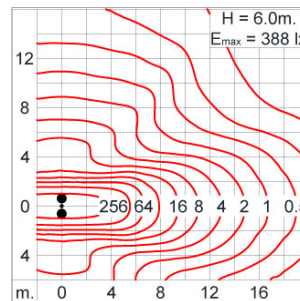
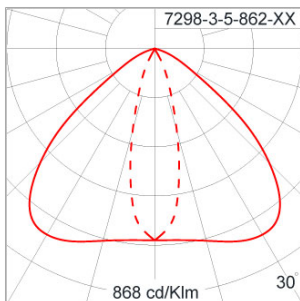


LAST UPDATE: 10-05-2024

### Specification

|                         |   |  |          |  |             |  |              |  |                    |  |          |  |                 |
|-------------------------|---|--|----------|--|-------------|--|--------------|--|--------------------|--|----------|--|-----------------|
| IEC Standard            | IEC 60598-1 General Requirement<br>IEC 60598-2-1 Fixed Luminaires   |  |          |  |             |  |              |  |                    |  |          |  |                 |
| Protection              | IP65 Class I  |  |          |  |             |  |              |  |                    |  |          |  |                 |
| IK Rating               | Protection against mechanical impact IK10 on body and optical part.   |  |          |  |             |  |              |  |                    |  |          |  |                 |
| Luminaires Body Housing | High-pressure die cast aluminum alloy body and components.  |  |          |  |             |  |              |  |                    |  |          |  |                 |
| Coating Process         | Nano Ceramic surface conversion, resistant to corrosive environment. Luminaire primarily coated with epoxy resin and top coated with UV stabilized polyester powder and cured in digital temperature controlled chamber at 200°C.                         |  |          |  |             |  |              |  |                    |  |          |  |                 |
| Diffuser                | Impact resistant safety tempered glass cover. Able to withstand the temperature up to 250°C.  |  |          |  |             |  |              |  |                    |  |          |  |                 |
| Lens                    | Molded PC lens from renowned manufacturers in various light distribution patterns.  |  |          |  |             |  |              |  |                    |  |          |  |                 |
| Adjustable Optic        | Adjustable aiming unit through graduated scale.   |  |          |  |             |  |              |  |                    |  |          |  |                 |
| Gasket                  | Post-cured treated silicone gasket. Temperature and weather resistant. Working temperature -40°C to +200°C.   |  |          |  |             |  |              |  |                    |  |          |  |                 |
| External Screws         | External screws are in stainless steel with protection grease.  |  |          |  |             |  |              |  |                    |  |          |  |                 |
| Cable Entry             | Cable entry protected by M20 cable gland. To be used with H05RN-F/ H07RN-F cable with 7-13mm. diameter.   |  |          |  |             |  |              |  |                    |  |          |  |                 |
| Led                     | High efficiency LED module utilized chips from world renowned manufacturer. Assembled on MCPCB and mounted on to heat conductive material.  |  |          |  |             |  |              |  |                    |  |          |  |                 |
| Driver                  | High quality DALI Driver in constant current. Conform to applicable safety standards and electromagnetic compatibility.   |  |          |  |             |  |              |  |                    |  |          |  |                 |
| Internal Wire           | Tinned copper conductor with silicone insulated internal wire. IMQ approved. Working temperature -40°C to +180°C.   |  |          |  |             |  |              |  |                    |  |          |  |                 |
| Terminal Block          | Terminal block in GFR PA6.6 for cable with cross section up to 2.5 sqmm. VDE approved.<br>Class1 luminaire provided with the earth connection.  |  |          |  |             |  |              |  |                    |  |          |  |                 |
| Pre-Wire Cable          | Pre-wired with 5-core cable for power [3x1 sqmm.] and dimming signal [2x0.35 sqmm.].  |  |          |  |             |  |              |  |                    |  |          |  |                 |
| Caution                 | Installation work has to be carried on according to the enclosed installation manual.   |  |          |  |             |  |              |  |                    |  |          |  |                 |
| Color                   | <table><tr><td></td><td>Black O1</td></tr><tr><td></td><td>Graphite O2</td></tr><tr><td></td><td>Dark Grey O3</td></tr><tr><td></td><td>Aluminum Silver O4</td></tr><tr><td></td><td>White O6</td></tr><tr><td></td><td>Wooden Brown O7</td></tr></table> |  | Black O1 |  | Graphite O2 |  | Dark Grey O3 |  | Aluminum Silver O4 |  | White O6 |  | Wooden Brown O7 |
|                         | Black O1  |  |          |  |             |  |              |  |                    |  |          |  |                 |
|                         | Graphite O2   |  |          |  |             |  |              |  |                    |  |          |  |                 |
|                         | Dark Grey O3  |  |          |  |             |  |              |  |                    |  |          |  |                 |
|                         | Aluminum Silver O4  |  |          |  |             |  |              |  |                    |  |          |  |                 |
|                         | White O6  |  |          |  |             |  |              |  |                    |  |          |  |                 |
|                         | Wooden Brown O7   |  |          |  |             |  |              |  |                    |  |          |  |                 |

### Light Distribution



\*Due to the constancy of product development, we reserve the right to alter all specification without prior notice.

Unilamp Co., Ltd.  
461 Ramintra Road, Kannayao, Bangkok 10230 Thailand  
Tel : +66[0]2 943 2420-1, +66[0]2 946 4170-1  
Fax : +66[0]2 943 2419  
online@unilamp.co.th  
www.unilamp.co.th

# ANDROMEDA

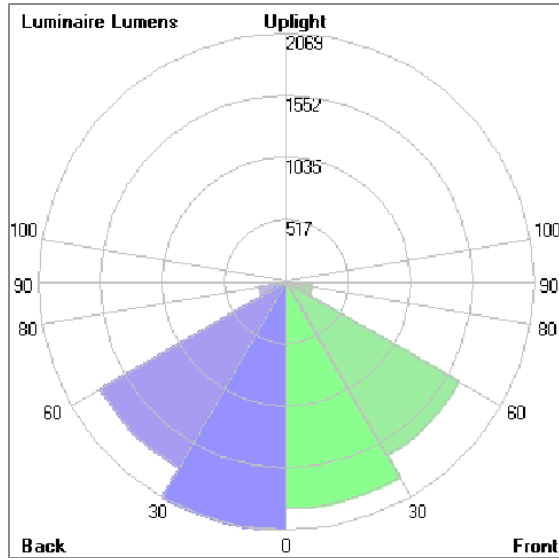
MINI ANDROMEDA – DS

POLE MOUNTED



LAST UPDATE: 10-05-2024

## Bug Report



## Lum. Classification System [LCS]

| LCS        | Zone      | %Lumens  | %Lamp | %Lum  |
|------------|-----------|----------|-------|-------|
| FL         | [0-30]    | 1888.5   | 16.3  | 24.0  |
| FM         | [30-60]   | 1668.8   | 14.4  | 21.2  |
| FH         | [60-80]   | 217.1    | 1.9   | 2.8   |
| FVH        | [80-90]   | 4.6      | 0.0   | 0.1   |
| BL         | [0-30]    | 2069.4   | 17.9  | 26.3  |
| BM         | [30-60]   | 1789.5   | 15.5  | 22.7  |
| BH         | [60-80]   | 230.6    | 2.0   | 2.9   |
| BVH        | [80-90]   | 6.1      | 0.1   | 0.1   |
| UL         | [90-100]  | < 0.05   | 0.0   | 0.0   |
| UH         | [100-180] | 0.4      | 0.0   | 0.0   |
| Total      |           | 7875.0   | 68.1  | 100.0 |
| BUG Rating |           | B3-U1-G1 |       |       |

\*Due to the constancy of product development, we reserve the right to alter all specification without prior notice.

# ANDROMEDA

MINI ANDROMEDA – DS

POLE MOUNTED



LAST UPDATE: 10-05-2024

## Accessories



Ordering Code:

ALUMINUM-POLE-MINI-ANDROMEDA

Please contact Sales Representative



Ordering Code:

STEEL-POLE-MINI-ANDROMEDA

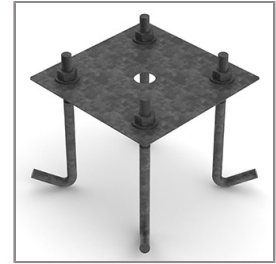
Please contact Sales Representative



Ordering Code:

AUN-ACB-0009-00

Anchor Bolt Kit for Galvanized Steel Pole. [for pole Diameter 114mm. and Diameter 114&140mm.]



Ordering Code:

AUN-ACB-0008-00

Anchor Bolt Kit for Galvanized Steel Pole. [for Diameter 102mm. and 151x102mm.]



Ordering Code:

AUN-ACB-0005-00

Anchor Bolt Kit for Aluminium Pole

\*Due to the constancy of product development, we reserve the right to alter all specification without prior notice.

Unilamp Co., Ltd.  
461 Ramintra Road, Kannayao, Bangkok 10230 Thailand  
Tel : +66[0]2 943 2420-1, +66[0]2 946 4170-1  
Fax : +66[0]2 943 2419  
online@unilamp.co.th  
www.unilamp.co.th