

# EPSYLON

## EPSYLON – POLE TOP LIGHT / DOUBLE HEAD

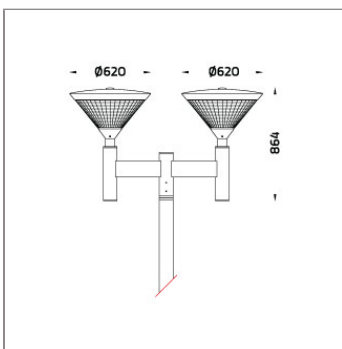
### POLE MOUNTED



LAST UPDATE: 15-05-2024



EPSYLON is the family of pole top and wall mount luminaires with unshielded symmetrical distribution. High quality PMMA material is used to avoid discoloration of the diffuser. EPSYLON gives a broad spread light distribution with low glare. This luminaire is generally used to illuminate gardens, parks, pedestrian, squares and open spaces. It is assembled with high brightness LEDs. EPSYLON with traditional HID light source and E27 holder for Led retrofit lamps are also available. The recommended mounting height is between 3 – 5 meters. Available as an option are Aluminium Poles, Galvanized steel poles and anchorage unit for concrete foundations.



### Technical Data



Ordering Code :	7236-0-3-436-XX
Lamp :	TC-TEL
Socket :	GX24q-4
CCT :	2700-6500 K
Lamp Lumen :	2x3200 lm
Luminaire Lumen :	6400 lm
Lamp Wattage :	2x42 W
Luminaire Wattage :	84 W
Ambient Temperature :	25°C
Controller :	On-Off
Input Voltage :	220-240Vac 50/60Hz
Net Weight :	21.40 kg.

#### Ordering code guide

XXXX-X-X-XXX-XX

A                      B                      C                      D                      E

- A Product Code
- B Reflector
- C Electrical Component
- D Lamp
- E Color



Icon definition

\*Due to the constancy of product development, we reserve the right to alter all specification without prior notice.

Unilamp Co., Ltd.  
461 Ramintra Road, Kannayao, Bangkok 10230 Thailand  
Tel : +66(0)2 943 2420-1, +66(0)2 946 4170-1  
Fax : +66(0)2 943 2419  
online@unilamp.co.th  
www.unilamp.co.th

# EPSYLON

## EPSYLON – POLE TOP LIGHT / DOUBLE HEAD

### POLE MOUNTED

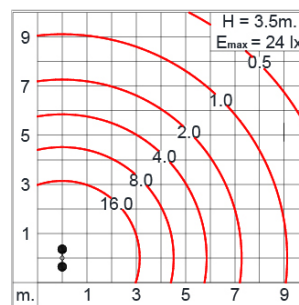
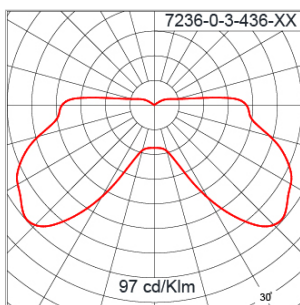


LAST UPDATE: 15-05-2024

#### Specification

IEC Standard	IEC 60598-1 General Requirement IEC 60598-2-1 Fixed Luminaires												
Protection	IP54 Class I												
IK Rating	Protection against mechanical impact IK08 on body and IK06 optical part.												
Luminaires Body Housing	High-pressure die cast aluminum alloy body and components. Spun aluminum alloy component.												
Coating Process	Nano Ceramic surface conversion, resistant to corrosive environment. Luminaire primarily coated with epoxy resin and top coated with UV stabilized polyester powder and cured in digital temperature controlled chamber at 200°C.												
Diffuser	Weather resistant injected prismatic PMMA cover.												
Gasket	Weather resistant silicone gasket. Working temperature -40°C to +200°C.												
External Screws	External screws are in stainless steel with protection grease.												
Lamp Holder	G24q/ GX24q lampholder in PBT body. IMQ/ ENEC approved.												
Ballast	Electronic ballast for fluorescent lamp. ENEC approved.												
Internal Wire	Tinned copper conductor with silicone insulated internal wire. IMQ approved. Working temperature -40°C to +180°C.												
Terminal Block	Terminal block in GFR PA6.6 for cable with cross section up to 2.5 sqmm. VDE approved. Class1 luminaire provided with the earth connection.												
Caution	Installation work has to be carried on according to the enclosed installation manual.												
Color	<table><tr><td></td><td>Black O1</td></tr><tr><td></td><td>Graphite O2</td></tr><tr><td></td><td>Dark Grey O3</td></tr><tr><td></td><td>Aluminum Silver O4</td></tr><tr><td></td><td>White O6</td></tr><tr><td></td><td>Wooden Brown O7</td></tr></table>		Black O1		Graphite O2		Dark Grey O3		Aluminum Silver O4		White O6		Wooden Brown O7
	Black O1												
	Graphite O2												
	Dark Grey O3												
	Aluminum Silver O4												
	White O6												
	Wooden Brown O7												

#### Light Distribution



\*Due to the constancy of product development, we reserve the right to alter all specification without prior notice.

Unilamp Co., Ltd.  
461 Ramintra Road, Kannayao, Bangkok 10230 Thailand  
Tel : +66[0]2 943 2420-1, +66[0]2 946 4170-1  
Fax : +66[0]2 943 2419  
online@unilamp.co.th  
www.unilamp.co.th

# EPSYLON

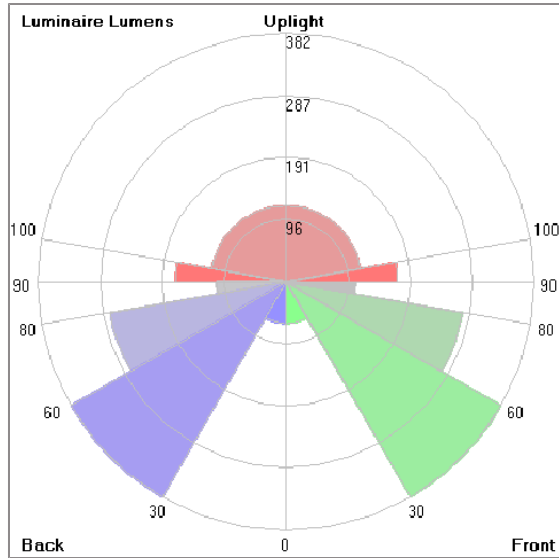
EPSYLON – POLE TOP LIGHT / DOUBLE HEAD

POLE MOUNTED



LAST UPDATE: 15-05-2024

## Bug Report



Lum. Classification System [LCS]				
LCS	Zone	%Lumens	%Lamp	%Lum
FL	[0-30]	64.6	2.0	3.3
FM	[30-60]	382.1	11.9	19.6
FH	[60-80]	275.6	8.6	14.2
FVH	[80-90]	107.1	3.3	5.5
BL	[0-30]	64.6	2.0	3.3
BM	[30-60]	382.1	11.9	19.6
BH	[60-80]	275.6	8.6	14.2
BVH	[80-90]	107.1	3.3	5.5
UL	[90-100]	170.7	5.3	8.8
UH	[100-180]	116.2	3.6	6.0
Total		1945.7	60.5	100.0
BUG Rating		B1-U3-G2		

\*Due to the constancy of product development, we reserve the right to alter all specification without prior notice.

# EPSYLON

EPSYLON – POLE TOP LIGHT / DOUBLE  
HEAD

POLE MOUNTED



LAST UPDATE: 15-05-2024

## Accessories



Ordering Code:  
ALUMINUM-POLE-EPSYLON-DOUBLE  
Please contact Sales  
Representative



Ordering Code:  
STEEL-POLE-EPSYLON-DOUBLE  
Please contact Sales  
Representative



Ordering Code:  
AUN-ACB-0008-00  
Anchor Bolt Kit for  
Galvanized Steel Pole. [for  
Diameter 102mm. and  
151x102mm.]



Ordering Code:  
AUN-ACB-0005-00  
Anchor Bolt Kit for  
Aluminium Pole

\*Due to the constancy of product development,  
we reserve the right to alter all specification  
without prior notice.

Unilamp Co., Ltd.  
461 Ramintra Road, Kannayao, Bangkok 10230 Thailand  
Tel : +66[0]2 943 2420-1, +66[0]2 946 4170-1  
Fax : +66[0]2 943 2419  
online@unilamp.co.th  
www.unilamp.co.th