

HELIOS

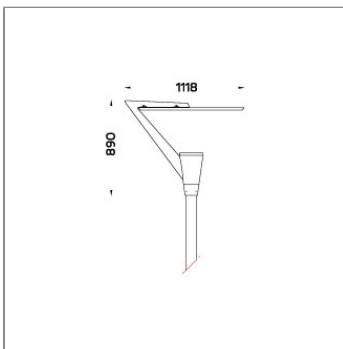
HELIOS – SYMMETRIC POLE TOP POLE MOUNTED



LAST UPDATE: 15-05-2024



HELIOS family is a large wall mounted area light and pole-top luminaire with symmetrical and asymmetrical indirect light distribution. The indirect light from the luminaire generates a uniform and glare free illumination. The recommended mounting height is between 3 – 5 meters from the ground. HELIOS is available with COB LED light source in two wattages in 2700K, 3000K or 4000K. It is also available in HID light source with conventional control gear. It is suitable for parking lots, public parks, pedestrian, squares and open areas where glare control is required. The luminaire blends well with all contemporary architectural design during the day and night. Available as an option are Aluminium Poles, Galvanized steel poles and anchorage unit for concrete foundations.



Technical Data



Ordering Code :	7224-0-5-906-XX
Lamp :	LED
CCT :	4000 K
CRI :	CRI >80
SDCM :	SDCM = 3
Lamp Lumen :	11730 lm
Luminaire Lumen :	6440 lm
Lamp Wattage :	70 W
Luminaire Wattage :	75 W
Efficacy :	85 lm/W
Ambient Temperature :	40°C
Lumen Maintenance	L70B10 >60,000 h
Controller :	DALI
Input Voltage :	220-240Vac 50/60Hz
Net Weight :	24.40 kg.

Ordering code guide

XXXX-X-X-XXX-XX

B
D

A
C
E

- A Product Code
- B Reflector
- C Electrical Component
- D Lamp
- E Color



Icon definition

*Due to the constancy of product development, we reserve the right to alter all specification without prior notice.

Unilamp Co., Ltd.
 461 Ramintra Road, Kannayao, Bangkok 10230 Thailand
 Tel : +66(0)2 943 2420-1, +66(0)2 946 4170-1
 Fax : +66(0)2 943 2419
 online@unilamp.co.th
 www.unilamp.co.th

HELIOS

HELIOS – SYMMETRIC POLE TOP POLE MOUNTED

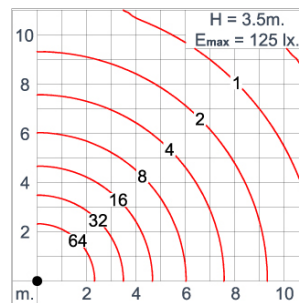
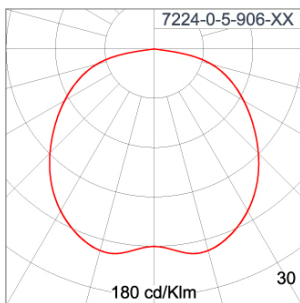


LAST UPDATE: 15-05-2024

Specification

IEC Standard	IEC 60598-1 General Requirement IEC 60598-2-1 Fixed Luminaires												
Protection	IP65 Class I												
IK Rating	Protection against mechanical impact IK10 on body and IK07 on optical part.												
Luminaires Body Housing	High-pressure Die Cast Aluminium alloy body and components.												
Coating Process	Nano Ceramic surface conversion, resistant to corrosive environment. Luminaire primarily coated with epoxy resin and top coated with UV stabilized polyester powder and cured in digital temperature controlled chamber at 200°C.												
Diffuser	Impact resistant safety tempered glass cover. Able to withstand the temperature up to 250°C. Glass flushes to the front cover, no accumulation of dust and water.												
Reflector	Secondary reflector made from injected GFR polymer with bone structure with white coated aluminium.												
Gasket	Post-cured treated silicone gasket. Temperature and weather resistant. Working temperature -40°C to +200°C.												
External Screws	External screws are in stainless steel with protection grease.												
Led	High efficiency LED module in COB technology. Assembled on MCPCB and mounted on to heat conductive material.												
Driver	High quality DALI Driver in constant current. Conform to applicable safety standards and electromagnetic compatibility.												
Enhanced Protection	The luminaire is equipped with a 10kV surge protection device, the function of the protector is indicated by a LED, performance in compliance with IEC61643-11.												
Internal Wire	Tinned copper conductor with silicone insulated internal wire. IMQ approved. Working temperature -40°C to +180°C.												
Terminal Block	Terminal block in GFR PA6.6 for cable with cross section up to 2.5 sqmm. VDE approved. Class1 luminaire provided with the earth connection.												
Caution	Installation work has to be carried on according to the enclosed installation manual.												
Color	<table><tr><td></td><td>Black O1</td></tr><tr><td></td><td>Graphite O2</td></tr><tr><td></td><td>Dark Grey O3</td></tr><tr><td></td><td>Aluminum Silver O4</td></tr><tr><td></td><td>White O6</td></tr><tr><td></td><td>Wooden Brown O7</td></tr></table>		Black O1		Graphite O2		Dark Grey O3		Aluminum Silver O4		White O6		Wooden Brown O7
	Black O1												
	Graphite O2												
	Dark Grey O3												
	Aluminum Silver O4												
	White O6												
	Wooden Brown O7												

Light Distribution



*Due to the constancy of product development,
we reserve the right to alter all specification
without prior notice.

Unilamp Co., Ltd.
461 Ramintra Road, Kannayao, Bangkok 10230 Thailand
Tel : +66(0)2 943 2420-1, +66(0)2 946 4170-1
Fax : +66(0)2 943 2419
online@unilamp.co.th
www.unilamp.co.th

HELIOS

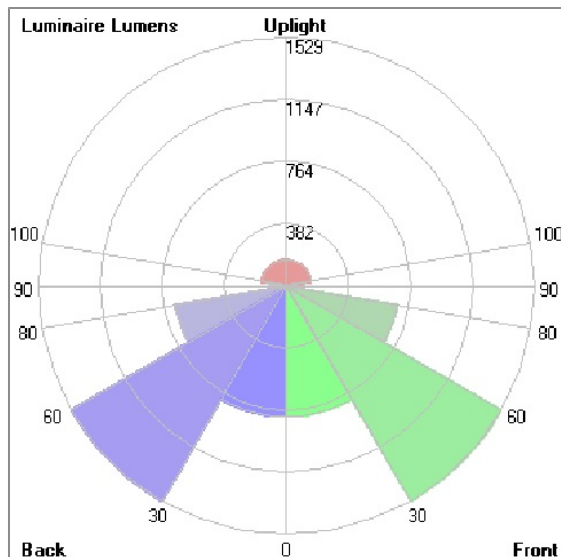
HELIOS – SYMMETRIC POLE TOP

POLE MOUNTED



LAST UPDATE: 15-05-2024

Bug Report



Lum. Classification System [LCS]

LCS	Zone	%Lumens	%Lamp	%Lum
FL	[0-30]	806.3	6.9	12.5
FM	[30-60]	1528.9	13.0	23.7
FH	[60-80]	695.2	5.9	10.8
FVH	[80-90]	109.1	0.9	1.7
BL	[0-30]	806.3	6.9	12.5
BM	[30-60]	1528.9	13.0	23.7
BH	[60-80]	695.2	5.9	10.8
BVH	[80-90]	109.1	0.9	1.7
UL	[90-100]	4.9	0.0	0.1
UH	[100-180]	155.7	1.3	2.4
Total		6439.6	54.7	100.0
BUG Rating		B2-U3-G2		

*Due to the constancy of product development, we reserve the right to alter all specification without prior notice.

Unilamp Co., Ltd.
 461 Ramintra Road, Kannayao, Bangkok 10230 Thailand
 Tel : +66[0]2 943 2420-1, +66[0]2 946 4170-1
 Fax : +66[0]2 943 2419
 online@unilamp.co.th
 www.unilamp.co.th

HELIOS

HELIOS – SYMMETRIC POLE TOP POLE MOUNTED



LAST UPDATE: 15-05-2024

Accessories



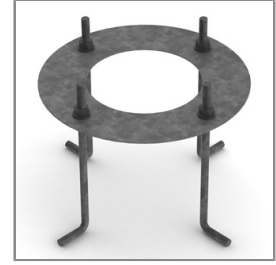
Ordering Code:
ALUMINIUM-POLE-FOR-HELIOS
Please contact Sales
Representative



Ordering Code:
STEEL-POLE-FOR-HELIOS
Please contact Sales
Representative



Ordering Code:
AUN-ACB-0008-00
Anchor Bolt Kit for
Galvanized Steel Pole. [for
Diameter 102mm. and
151x102mm.]



Ordering Code:
AUN-ACB-0005-00
Anchor Bolt Kit for
Aluminium Pole