

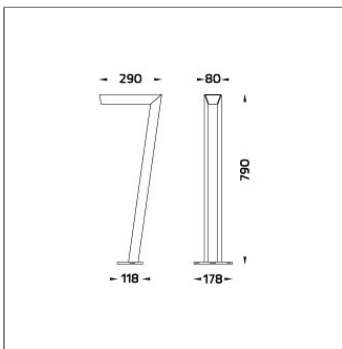
# SE7EN

SE7EN

BOLLARD

 **Unilamp**

LAST UPDATE: 28-05-2024



SE7EN, the angular designed bollard installed with high quality LED and manufactured from corrosion resistant extruded aluminium. SE7EN is an architectural piece in itself either on or off. No visible screws, no light spill, pre wired cable with IP68 connection and IP66 lamp compartment SE7EN fulfill all the needs for modern urban scenery. Available in 2700K, 3000K and 4000K in high CRI with exceptional color consistency. SE7EN is a perfect match for contemporary surrounding and can be installed in walkways, parks, commercial areas and open spaces.

## Technical Data



|                       |                    |
|-----------------------|--------------------|
| Ordering Code :       | 7170-H-3-922-XX    |
| Lamp :                | LED                |
| Beam :                | Elliptical H       |
| CCT :                 | 4000 K             |
| CRI :                 | CRI >80            |
| SDCM :                | SDCM = 3           |
| Lamp Lumen :          | 740 lm             |
| Luminaire Lumen :     | 380 lm             |
| Lamp Wattage :        | 5.2 W              |
| Luminaire Wattage :   | 7 W                |
| Efficacy :            | 54 lm/W            |
| Ambient Temperature : | 50°C               |
| Lumen Maintenance     | L70B10 >36,000 h   |
| Controller :          | On-Off             |
| Input Voltage :       | 220-240Vac 50/60Hz |
| Net Weight :          | 2.00 kg.           |

### Ordering code guide

XXXX-X-X-XXX-XX  
A B C D E

- A Product Code
- B Reflector
- C Electrical Component
- D Lamp
- E Color



Icon definition

\*Due to the constancy of product development, we reserve the right to alter all specification without prior notice.

Unilamp Co., Ltd.  
461 Ramintra Road, Kannayao, Bangkok 10230 Thailand  
Tel : +66(0)2 943 2420-1, +66(0)2 946 4170-1  
Fax : +66(0)2 943 2419  
online@unilamp.co.th  
www.unilamp.co.th

# SE7EN

SE7EN

BOLLARD

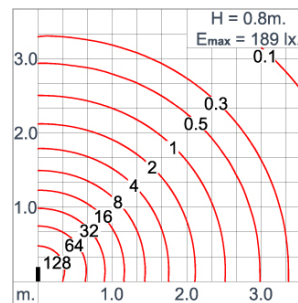
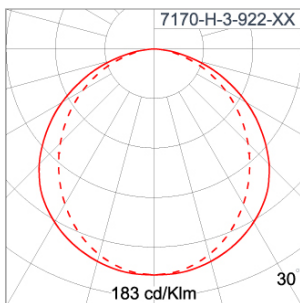
 **Unilamp**

LAST UPDATE: 28-05-2024

## Specification

|   |   |   |          |   |             |   |              |   |                    |   |          |   |                 |
|---|---|---|----------|---|-------------|---|--------------|---|--------------------|---|----------|---|-----------------|
| IEC Standard  | IEC 60598-1 General Requirement<br>IEC 60598-2-1 Fixed Luminaires   |   |          |   |             |   |              |   |                    |   |          |   |                 |
| Protection  | IP66 Class II   |   |          |   |             |   |              |   |                    |   |          |   |                 |
| IK Rating   | Protection against mechanical impact IK10 on body and IK08 on optical part.   |   |          |   |             |   |              |   |                    |   |          |   |                 |
| Luminaires Body Housing   | High-pressure die cast aluminum alloy body and components.<br>Extruded aluminum 56063 alloy body with low copper content.   |   |          |   |             |   |              |   |                    |   |          |   |                 |
| Coating Process   | Nano ceramic surface conversion, resistant to corrosive environment. Luminaire primarily coated with epoxy resin and top coated with UV stabilized polyester powder and cured in digital temperature controlled chamber at 200°C.   |   |          |   |             |   |              |   |                    |   |          |   |                 |
| Diffuser  | Weather resistant injected prismatic PMMA cover.  |   |          |   |             |   |              |   |                    |   |          |   |                 |
| Gasket  | Weather resistant silicone gasket. Working temperature -40°C to +200°C.   |   |          |   |             |   |              |   |                    |   |          |   |                 |
| External Screws   | External screws are in stainless steel with protection grease.  |   |          |   |             |   |              |   |                    |   |          |   |                 |
| Cable Entry   | Cable entry protected by weather proof grommet. To be used with HO5RN-F/ HO7RN-F cable with 6-13mm. diameter.   |   |          |   |             |   |              |   |                    |   |          |   |                 |
| Led   | High efficiency LED module utilized chips from world renowned manufacturer. Assembled on MCPCB and mounted on to heat conductive material.  |   |          |   |             |   |              |   |                    |   |          |   |                 |
| Driver  | High quality constant current LED driver. Conform to safety standard and electromagnetic compatibility standard.  |   |          |   |             |   |              |   |                    |   |          |   |                 |
| Internal Wire   | Tinned copper conductor with silicone insulated internal wire. IMQ approved. Working temperature -40°C to +180°C.   |   |          |   |             |   |              |   |                    |   |          |   |                 |
| Pre-Wire Cable  | Pre-wired with 2x1.0 sqmm. HO7RN-F neoprene cable. IMQ approved.<br>Main connection provided with IP68 watertight connecting device for cable diameter 7-12mm with 2.5 sqmm section.  |   |          |   |             |   |              |   |                    |   |          |   |                 |
| Caution   | Installation work has to be carried on according to the enclosed installation manual.   |   |          |   |             |   |              |   |                    |   |          |   |                 |
| Color   | <table><tr><td></td><td>Black O1</td></tr><tr><td></td><td>Graphite O2</td></tr><tr><td></td><td>Dark Grey O3</td></tr><tr><td></td><td>Aluminum Silver O4</td></tr><tr><td></td><td>White O6</td></tr><tr><td></td><td>Wooden Brown O7</td></tr></table> |  | Black O1 |  | Graphite O2 |  | Dark Grey O3 |  | Aluminum Silver O4 |  | White O6 |  | Wooden Brown O7 |
|  | Black O1  |   |          |   |             |   |              |   |                    |   |          |   |                 |
|  | Graphite O2   |   |          |   |             |   |              |   |                    |   |          |   |                 |
|  | Dark Grey O3  |   |          |   |             |   |              |   |                    |   |          |   |                 |
|  | Aluminum Silver O4  |   |          |   |             |   |              |   |                    |   |          |   |                 |
|  | White O6  |   |          |   |             |   |              |   |                    |   |          |   |                 |
|  | Wooden Brown O7   |   |          |   |             |   |              |   |                    |   |          |   |                 |

## Light Distribution



\*Due to the constancy of product development,  
we reserve the right to alter all specification  
without prior notice.

Unilamp Co., Ltd.  
461 Ramintra Road, Kannayao, Bangkok 10230 Thailand  
Tel : +66[0]2 943 2420-1, +66[0]2 946 4170-1  
Fax : +66[0]2 943 2419  
online@unilamp.co.th  
www.unilamp.co.th

# SE7EN

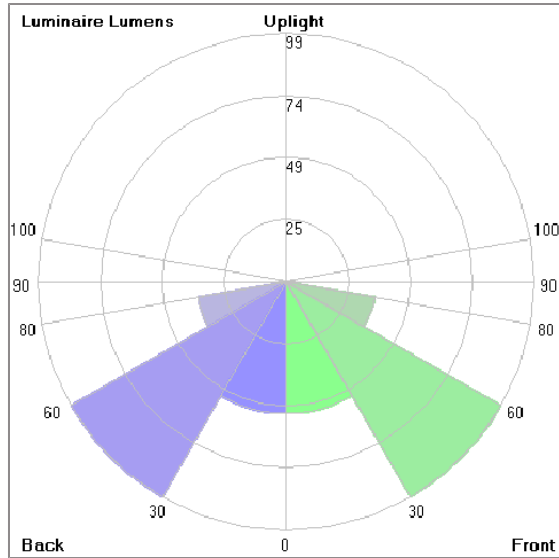
SE7EN

BOLLARD



LAST UPDATE: 28-05-2024

## Bug Report



### Lum. Classification System [LCS]

| LCS        | Zone      | %Lumens  | %Lamp | %Lum  |
|------------|-----------|----------|-------|-------|
| FL         | [0-30]    | 52.3     | 7.1   | 13.8  |
| FM         | [30-60]   | 98.7     | 13.3  | 26.0  |
| FH         | [60-80]   | 35.8     | 4.8   | 9.4   |
| FVH        | [80-90]   | 3.1      | 0.4   | 0.8   |
| BL         | [0-30]    | 52.3     | 7.1   | 13.8  |
| BM         | [30-60]   | 98.7     | 13.3  | 26.0  |
| BH         | [60-80]   | 35.8     | 4.8   | 9.4   |
| BVH        | [80-90]   | 3.1      | 0.4   | 0.8   |
| UL         | [90-100]  | 0.2      | 0.0   | 0.0   |
| UH         | [100-180] | < 0.05   | 0.0   | 0.0   |
| Total      |           | 380.0    | 51.2  | 100.0 |
| BUG Rating |           | BO-U1-G0 |       |       |

\*Due to the constancy of product development, we reserve the right to alter all specification without prior notice.

Unilamp Co., Ltd.  
461 Ramintra Road, Kannayao, Bangkok 10230 Thailand  
Tel : +66[0]2 943 2420-1, +66[0]2 946 4170-1  
Fax : +66[0]2 943 2419  
online@unilamp.co.th  
www.unilamp.co.th

# SE7EN

SE7EN

BOLLARD

 **Unilamp**

LAST UPDATE: 28-05-2024

## Accessories



Ordering Code:

AUN-CON-0013-00

IP68 connection device,

cable diameter 7-11.5mm,

On-Off

\*Due to the constancy of product development,  
we reserve the right to alter all specification  
without prior notice.

Unilamp Co., Ltd.  
461 Ramintra Road, Kannayao, Bangkok 10230 Thailand  
Tel : +66(0)2 943 2420-1, +66(0)2 946 4170-1  
Fax : +66(0)2 943 2419  
online@unilamp.co.th  
www.unilamp.co.th