

TOWER

TOWER3 – BOLLARD

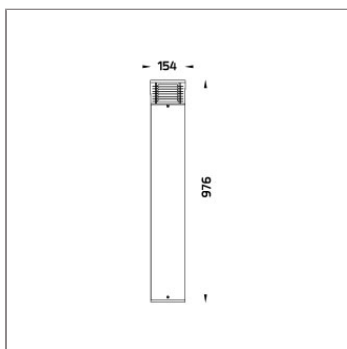
BOLLARD



LAST UPDATE: 30-05-2024



TOWER family is designed with the clean-cut line to provide scenic lighting in modern architectural environment. The Opal diffuser softens the light symmetrically while the clear diffuser with slanted louver limits the glare. The extrusion aluminium body together with high impact resistant Polycarbonate cover protect the luminaire against vandalism and corrosion. High power COB LED is installed inside this luminaire. It is available in three color temperature 2700K, 3000K or 4000K. Retrofit solution for E27 Led lamp is also available. It is suitable to be installed in gardens, pathways, squares and open spaces. The bollard height can be customized according to specific requirement. An anchorage unit is available as an accessory.



Technical Data



| | |
|-----------------------|--------------------|
| Ordering Code : | 7152-0-3-780-XX |
| Lamp : | HIT-CE |
| Socket : | G12 |
| CCT : | 3000-4200 K |
| Lamp Lumen : | 3300 lm |
| Luminaire Lumen : | 3300 lm |
| Lamp Wattage : | 35 W |
| Luminaire Wattage : | 35 W |
| Ambient Temperature : | 25°C |
| Controller : | On-Off |
| Input Voltage : | 220-240Vac 50/60Hz |
| Net Weight : | 7.00 kg. |

Ordering code guide

XXXX-X-X-XXX-XX
A B C D E

- A Product Code
- B Reflector
- C Electrical Component
- D Lamp
- E Color



Icon definition

*Due to the constancy of product development, we reserve the right to alter all specification without prior notice.

Unilamp Co., Ltd.
461 Ramintra Road, Kannayao, Bangkok 10230 Thailand
Tel : +66(0)2 943 2420-1, +66(0)2 946 4170-1
Fax : +66(0)2 943 2419
online@unilamp.co.th
www.unilamp.co.th

TOWER


TOWER3 – BOLLARD

BOLLARD

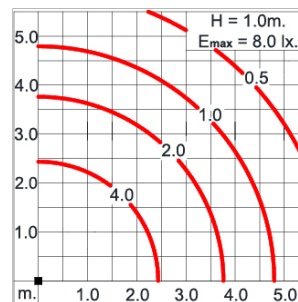
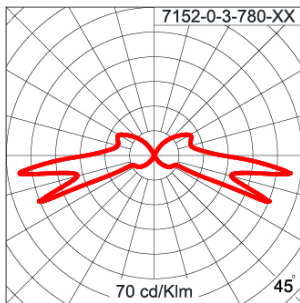


LAST UPDATE: 30-05-2024

Specification

| | |
|-------------------------|---|
| IEC Standard | IEC 60598-1 General Requirement IEC 60598-2-1 Fixed Luminaires |
| Protection | IP65 Class I |
| IK Rating | Protection against mechanical impact IK09 on body and IK10 optical part. |
| Luminaires Body Housing | High-pressure die cast aluminum alloy body and components. Extruded aluminum 56063 alloy body with low copper content. |
| Coating Process | Nano ceramic surface conversion, resistant to corrosive environment. Luminaire primarily coated with epoxy resin and top coated with UV stabilized polyester powder and cured in digital temperature controlled chamber at 200°C. |
| Diffuser | Self-extinguishing high impact resistant clear polycarbonate diffuser with UV stabilized additive. |
| Reflector | Glare shield slanted aluminum louvers. |
| Gasket | Weather resistant silicone gasket. Working temperature -40°C to +200°C. |
| External Screws | External screws are in stainless steel with protection grease. |
| Cable Entry | Cable entry protected by weather proof grommet. To be used with HO5RN-F/ HO7RN-F cable with 6-13mm. diameter. |
| Lamp Holder | G12 lampholder in ceramic body. VDE/ ENEC approved. |
| Ballast | Electronic ballast for HID lamp. ENEC approved. |
| Internal Wire | Tinned copper conductor with silicone insulated internal wire. IMQ approved. Working temperature -40°C to +180°C. HID control gear wired with double insulated silicone cable and compatible to be operated under ignition voltage up to 5KV. |
| Terminal Block | Terminal block in GFR PA6.6 for cable with cross section up to 2.5 sqmm. VDE approved. Class1 luminaire provided with the earth connection. |
| Caution | Installation work has to be carried on according to the enclosed installation manual. |
| Color |  <ul style="list-style-type: none">Black O1Graphite O2Dark Grey O3Aluminum Silver O4White O6Wooden Brown O7 |

Light Distribution



*Due to the constancy of product development,
we reserve the right to alter all specification
without prior notice.

Unilamp Co., Ltd.
461 Ramintra Road, Kannayao, Bangkok 10230 Thailand
Tel : +66(O)2 943 2420-1, +66(O)2 946 4170-1
Fax : +66(O)2 943 2419
online@unilamp.co.th
www.unilamp.co.th

TOWER

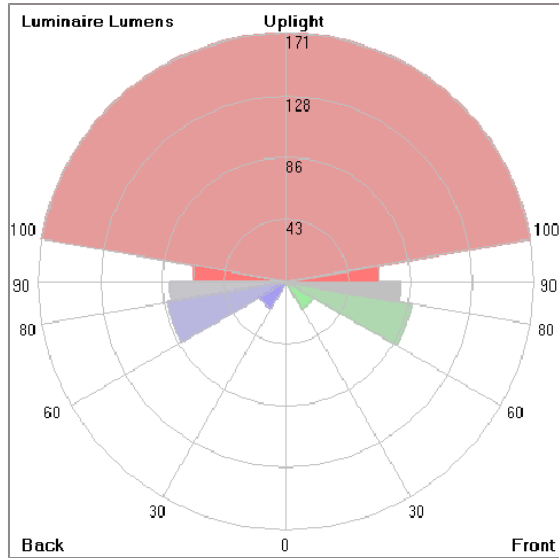
TOWER3 – BOLLARD

BOLLARD



LAST UPDATE: 30-05-2024

Bug Report



Lum. Classification System [LCS]

| LCS | Zone | %Lumens | %Lamp | %Lum |
|------------|-----------|---------|-------|----------|
| FL | [0-30] | 1.8 | 0.1 | 0.3 |
| FM | [30-60] | 21.7 | 0.7 | 3.6 |
| FH | [60-80] | 88.1 | 2.7 | 14.4 |
| FVH | [80-90] | 78.9 | 2.4 | 12.9 |
| BL | [0-30] | 1.6 | 0.0 | 0.3 |
| BM | [30-60] | 21.1 | 0.6 | 3.4 |
| BH | [60-80] | 83.1 | 2.5 | 13.6 |
| BVH | [80-90] | 80.3 | 2.4 | 13.1 |
| UL | [90-100] | 63.9 | 1.9 | 10.5 |
| UH | [100-180] | 171.3 | 5.2 | 28.0 |
| Total | | 611.8 | 18.5 | 100.0 |
| BUG Rating | | | | BO-U3-G1 |

*Due to the constancy of product development, we reserve the right to alter all specification without prior notice.

Unilamp Co., Ltd.
461 Ramintra Road, Kannayao, Bangkok 10230 Thailand
Tel : +66[0]2 943 2420-1, +66[0]2 946 4170-1
Fax : +66[0]2 943 2419
online@unilamp.co.th
www.unilamp.co.th

TOWER

TOWER3 – BOLLARD

BOLLARD



LAST UPDATE: 30-05-2024

Accessories



Ordering Code:
AUN-CON-0009-00
IP68 connection device,
cable diameter 5-9.5mm,
On-Off



Ordering Code:
AUN-CON-0010-00
IP68 connection device 3
pole, cable diameter
5-9.5mm, with distribution
block



Ordering Code:
AUN-CON-0013-00
IP68 connection device,
cable diameter 7-11.5mm,
On-Off



Ordering Code:
AUN-ACB-0002-00
Anchor bolt kit, bollard