

RETINA

MAXI HALF RETINA

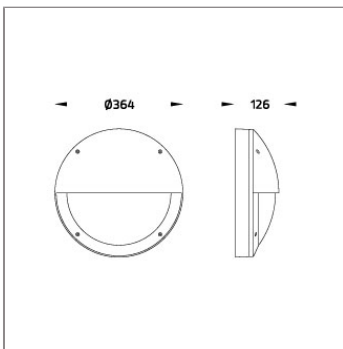
WALL SURFACE MOUNT



LAST UPDATE: 18-06-2024



RETINA is a round wall/ceiling light with robust aluminium construction and impact resistant polycarbonate diffuser. The LED module is available with built-in microwave motion sensor and hi-low light function. RETINA for compact fluorescent lamp and E27 holder for retrofit solution are also available. The high protection rating of IP65 and IK10 allows RETINA to be installed in rough outdoor environments. With a diffused light distribution, it provides smooth and uniform illumination in private and public areas and is also suitable for commercial use. The front cover is available in various designs; moreover, RETINA is available in two sizes with the choice of six different colors.



Technical Data



| | |
|-----------------------|--------------------|
| Ordering Code : | 7081-0-3-824-XX |
| Lamp : | LED |
| CCT : | 4000 K |
| CRI : | CRI >80 |
| SDCM : | SDCM = 5 |
| Lamp Lumen : | 2550 lm |
| Luminaire Lumen : | 630 lm |
| Lamp Wattage : | 23 W |
| Luminaire Wattage : | 25 W |
| Efficacy : | 25 lm/W |
| Ambient Temperature : | 25°C |
| Lumen Maintenance | L70B10 >36,000 h |
| Controller : | On-Off |
| Input Voltage : | 220-240Vac 50/60Hz |
| Net Weight : | 3.40 kg. |

Ordering code guide

XXXX-X-X-XXX-XX

A B C D E

- A Product Code
- B Reflector
- C Electrical Component
- D Lamp
- E Color



Icon definition

*Due to the constancy of product development, we reserve the right to alter all specification without prior notice.

Unilamp Co., Ltd.
461 Ramintra Road, Kannayao, Bangkok 10230 Thailand
Tel : +66(0)2 943 2420-1, +66(0)2 946 4170-1
Fax : +66(0)2 943 2419
online@unilamp.co.th
www.unilamp.co.th

RETINA

MAXI HALF RETINA

WALL SURFACE MOUNT

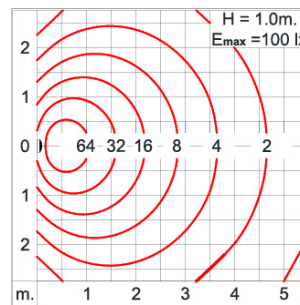
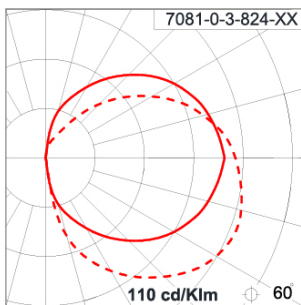


LAST UPDATE: 18-06-2024

Specification

| | | | | | | | | | | | | | |
|-------------------------|---|--|----------|--|-------------|--|--------------|--|--------------------|--|----------|--|-----------------|
| IEC Standard | IEC 60598-1 General Requirement IEC 60598-2-1 Fixed Luminaires | | | | | | | | | | | | |
| Protection | IP65 Class II | | | | | | | | | | | | |
| IK Rating | Protection against mechanical impact IK10 on body and optical part. | | | | | | | | | | | | |
| Luminaires Body Housing | High-pressure die cast aluminum alloy body and components. | | | | | | | | | | | | |
| Coating Process | Nano Ceramic surface conversion, resistant to corrosive environment. Luminaire primarily coated with epoxy resin and top coated with UV stabilized polyester powder and cured in digital temperature controlled chamber at 200°C. | | | | | | | | | | | | |
| Diffuser | Self-extinguishing high impact resistant opal polycarbonate diffuser with UV stabilized additive. | | | | | | | | | | | | |
| Gasket | Weather resistant silicone gasket. Working temperature -40°C to +200°C. | | | | | | | | | | | | |
| External Screws | External screws are in stainless steel with protection grease. | | | | | | | | | | | | |
| Cable Entry | Cable entry protected by weather proof grommet. To be used with HO5RN-F/ HO7RN-F cable with 6-13mm. diameter. | | | | | | | | | | | | |
| Led | High efficiency SMD LED module with built-in constant current LED driver. Replacable module for future upgrade or maintenance. | | | | | | | | | | | | |
| Internal Wire | Tinned copper conductor with PTFE insulated internal wire. IMQ approved. Working temperature -40°C to +250°C. | | | | | | | | | | | | |
| Terminal Block | Terminal block in GFR PA6.6 for cable with cross section up to 2.5 sqmm. VDE approved. | | | | | | | | | | | | |
| Caution | Installation work has to be carried on according to the enclosed installation manual. | | | | | | | | | | | | |
| Color | <table><tr><td></td><td>Black O1</td></tr><tr><td></td><td>Graphite O2</td></tr><tr><td></td><td>Dark Grey O3</td></tr><tr><td></td><td>Aluminum Silver O4</td></tr><tr><td></td><td>White O6</td></tr><tr><td></td><td>Wooden Brown O7</td></tr></table> | | Black O1 | | Graphite O2 | | Dark Grey O3 | | Aluminum Silver O4 | | White O6 | | Wooden Brown O7 |
| | Black O1 | | | | | | | | | | | | |
| | Graphite O2 | | | | | | | | | | | | |
| | Dark Grey O3 | | | | | | | | | | | | |
| | Aluminum Silver O4 | | | | | | | | | | | | |
| | White O6 | | | | | | | | | | | | |
| | Wooden Brown O7 | | | | | | | | | | | | |

Light Distribution



*Due to the constancy of product development, we reserve the right to alter all specification without prior notice.

Unilamp Co., Ltd.
461 Ramintra Road, Kannayao, Bangkok 10230 Thailand
Tel : +66(0)2 943 2420-1, +66(0)2 946 4170-1
Fax : +66(0)2 943 2419
online@unilamp.co.th
www.unilamp.co.th

RETINA

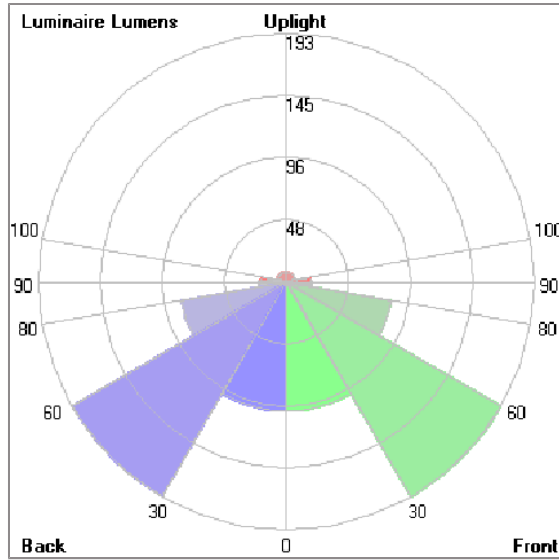
MAXI HALF RETINA

WALL SURFACE MOUNT



LAST UPDATE: 18-06-2024

Bug Report



Lum. Classification System [LCS]

| LCS | Zone | %Lumens | %Lamp | %Lum |
|------------|-----------|---------|-------|----------|
| FL | [0-30] | 100.3 | 3.9 | 12.3 |
| FM | [30-60] | 192.7 | 7.6 | 23.5 |
| FH | [60-80] | 82.9 | 3.3 | 10.1 |
| FVH | [80-90] | 20.6 | 0.8 | 2.5 |
| BL | [0-30] | 100.1 | 3.9 | 12.2 |
| BM | [30-60] | 192.2 | 7.5 | 23.5 |
| BH | [60-80] | 83.0 | 3.3 | 10.1 |
| BVH | [80-90] | 20.7 | 0.8 | 2.5 |
| UL | [90-100] | 19.1 | 0.7 | 2.3 |
| UH | [100-180] | 7.1 | 0.3 | 0.9 |
| Total | | 818.7 | 32.1 | 100.0 |
| BUG Rating | | | | BO-U2-G1 |

*Due to the constancy of product development, we reserve the right to alter all specification without prior notice.

Unilamp Co., Ltd.
461 Ramintra Road, Kannayao, Bangkok 10230 Thailand
Tel : +66[0]2 943 2420-1, +66[0]2 946 4170-1
Fax : +66[0]2 943 2419
online@unilamp.co.th
www.unilamp.co.th