

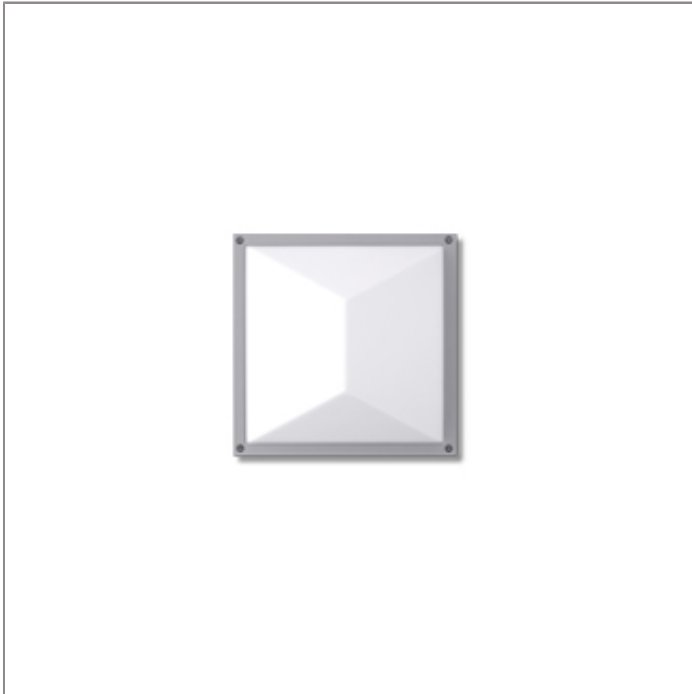
DRIFT

MINI ROOF DRIFT

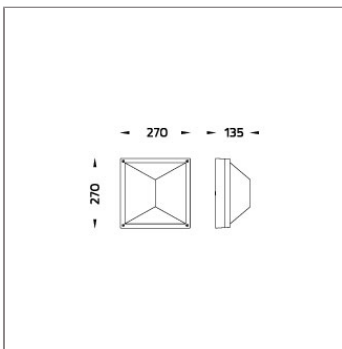
GENERAL WALL LIGHTS



LAST UPDATE: 06-05-2024



Square in shape DRIFT wall and ceiling lights have a rugged aluminium structure and impact resistant polycarbonate diffuser. The LED module is available with built-in microwave motion sensor and hi-low light function. The color temperature is 3000K or 4000K with choice of Dali option. The high protection rating of IP65 and IK09 allows DRIFT to be installed in the harshest outdoor environments. With the diffused light distribution, it provides good low glare general lighting to private and public areas. The front cover is available in various designs; moreover, DRIFT is available with the choice of six different colors.



Technical Data



| | |
|-----------------------|--------------------|
| Ordering Code : | 7039-0-3-452-XX |
| Lamp : | TC-DEL |
| Socket : | G24q-2 |
| CCT : | 2700-4000 K |
| Lamp Lumen : | 1200 lm |
| Luminaire Lumen : | 1200 lm |
| Lamp Wattage : | 18 W |
| Luminaire Wattage : | 18 W |
| Ambient Temperature : | 25°C |
| Controller : | On-Off |
| Input Voltage : | 220-240Vac 50/60Hz |
| Net Weight : | 2.00 kg. |

Ordering code guide

XXXX-X-X-XXX-XX

A B C D E

- A Product Code
- B Reflector
- C Electrical Component
- D Lamp
- E Color



Icon definition

*Due to the constancy of product development, we reserve the right to alter all specification without prior notice.

Unilamp Co., Ltd.
461 Ramintra Road, Kannayao, Bangkok 10230 Thailand
Tel : +66(O)2 943 2420-1, +66(O)2 946 4170-1
Fax : +66(O)2 943 2419
online@unilamp.co.th
www.unilamp.co.th

DRIFT

MINI ROOF DRIFT

GENERAL WALL LIGHTS

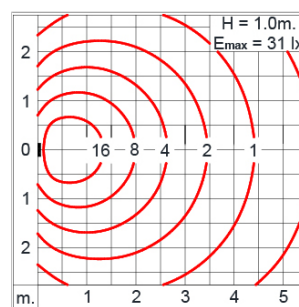
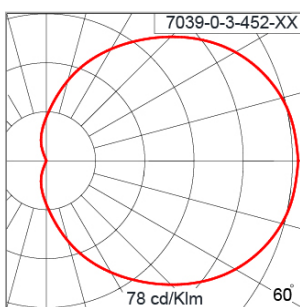


LAST UPDATE: 06-05-2024

Specification

| | | | | | | | | | | | | | |
|-------------------------|---|--|----------|--|-------------|--|--------------|--|--------------------|--|----------|--|-----------------|
| IEC Standard | IEC 60598-1 General Requirement IEC 60598-2-1 Fixed Luminaires | | | | | | | | | | | | |
| Protection | IP65 Class I | | | | | | | | | | | | |
| IK Rating | Protection against mechanical impact IK10 on body and optical part. | | | | | | | | | | | | |
| Luminaires Body Housing | High-pressure die cast aluminum alloy body and components. | | | | | | | | | | | | |
| Coating Process | Nano Ceramic surface conversion, resistant to corrosive environment. Luminaire primarily coated with epoxy resin and top coated with UV stabilized polyester powder and cured in digital temperature controlled chamber at 200°C. | | | | | | | | | | | | |
| Diffuser | Self-extinguishing high impact resistant opal polycarbonate diffuser with UV stabilized additive. | | | | | | | | | | | | |
| Gasket | Weather resistant silicone gasket. Working temperature -40°C to +200°C. | | | | | | | | | | | | |
| External Screws | External screws are in stainless steel with protection grease. | | | | | | | | | | | | |
| Cable Entry | Cable entry protected by weather proof grommet. To be used with HO5RN-F/ HO7RN-F cable with 5-10mm. diameter. | | | | | | | | | | | | |
| Lamp Holder | G24q/ GX24q lampholder in PBT body. IMQ/ ENEC approved. | | | | | | | | | | | | |
| Ballast | Electronic ballast for fluorescent lamp. ENEC approved. | | | | | | | | | | | | |
| Internal Wire | Tinned copper conductor with silicone insulated internal wire. IMQ approved. Working temperature -40°C to +180°C. | | | | | | | | | | | | |
| Terminal Block | Terminal block in GFR PA6.6 for cable with cross section up to 2.5 sqmm. VDE approved. Class1 luminaire provided with the earth connection. | | | | | | | | | | | | |
| Caution | Installation work has to be carried on according to the enclosed installation manual. | | | | | | | | | | | | |
| Color | <table><tr><td></td><td>Black O1</td></tr><tr><td></td><td>Graphite O2</td></tr><tr><td></td><td>Dark Grey O3</td></tr><tr><td></td><td>Aluminum Silver O4</td></tr><tr><td></td><td>White O6</td></tr><tr><td></td><td>Wooden Brown O7</td></tr></table> | | Black O1 | | Graphite O2 | | Dark Grey O3 | | Aluminum Silver O4 | | White O6 | | Wooden Brown O7 |
| | Black O1 | | | | | | | | | | | | |
| | Graphite O2 | | | | | | | | | | | | |
| | Dark Grey O3 | | | | | | | | | | | | |
| | Aluminum Silver O4 | | | | | | | | | | | | |
| | White O6 | | | | | | | | | | | | |
| | Wooden Brown O7 | | | | | | | | | | | | |

Light Distribution



*Due to the constancy of product development, we reserve the right to alter all specification without prior notice.

Unilamp Co., Ltd.
461 Ramintra Road, Kannayao, Bangkok 10230 Thailand
Tel : +66(0)2 943 2420-1, +66(0)2 946 4170-1
Fax : +66(0)2 943 2419
online@unilamp.co.th
www.unilamp.co.th