

RETINA

MINI HALF RETINA

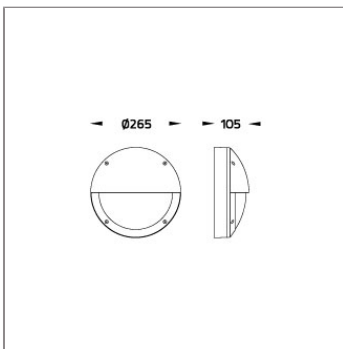
WALL SURFACE MOUNT



LAST UPDATE: 26-03-2025



RETINA is a round wall/ceiling light with robust aluminium construction and impact resistant polycarbonate diffuser. The LED module is available with built-in microwave motion sensor and hi-low light function. RETINA for compact fluorescent lamp and E27 holder for retrofit solution are also available. The high protection rating of IP65 and IK10 allows RETINA to be installed in rough outdoor environments. With a diffused light distribution, it provides smooth and uniform illumination in private and public areas and is also suitable for commercial use. The front cover is available in various designs; moreover, RETINA is available in two sizes with the choice of six different colors.



Technical Data



Ordering Code :	7015-0-2-493-XX
Lamp :	TC-TSE
Socket :	E27
CCT :	2700-6500 K
Lamp Lumen :	900 lm
Luminaire Lumen :	900 lm
Lamp Wattage :	15 W
Luminaire Wattage :	15 W
Ambient Temperature :	25°C
Controller :	On-Off
Input Voltage :	220-240Vac 50/60Hz
Net Weight :	1.90 kg.

Ordering code guide

XXXX-X-X-XXX-XX
A B C D E

- A Product Code
- B Reflector
- C Electrical Component
- D Lamp
- E Color



Icon definition

*Due to the constancy of product development, we reserve the right to alter all specification without prior notice.

Unilamp Co., Ltd.
461 Ramintra Road, Kannayao, Bangkok 10230 Thailand
Tel : +66(O)2 943 2420-1, +66(O)2 946 4170-1
Fax : +66(O)2 943 2419
online@unilamp.co.th
www.unilamp.co.th

RETINA

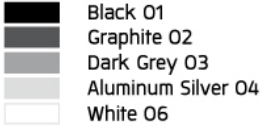
MINI HALF RETINA

WALL SURFACE MOUNT

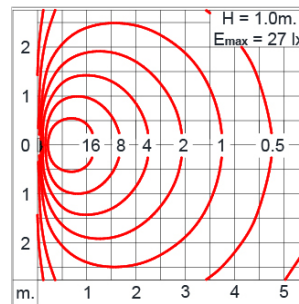
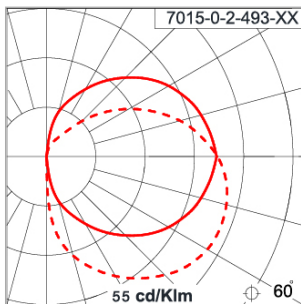


LAST UPDATE: 26-03-2025

Specification

IEC Standard	IEC 60598-1 General Requirement IEC 60598-2-1 Fixed Luminaires
Protection	IP65 Class I
IK Rating	Protection against mechanical impact IK10 on body and optical part.
Luminaires Body Housing	High-pressure die cast aluminum alloy body and components.
Coating Process	Nano Ceramic surface conversion, resistant to corrosive environment. Luminaire primarily coated with epoxy resin and top coated with UV stabilized polyester powder and cured in digital temperature controlled chamber at 200°C.
Diffuser	Self-extinguishing high impact resistant opal polycarbonate diffuser with UV stabilized additive.
Gasket	Weather resistant silicone gasket. Working temperature -40°C to +200°C.
External Screws	External screws are in stainless steel with protection grease.
Cable Entry	Cable entry protected by weather proof grommet. To be used with HO5RN-F/ HO7RN-F cable with 5-10mm. diameter.
Lamp Holder	E27 lampholder in ceramic body. VDE/ ENEC approved.
Internal Wire	Tinned copper conductor with silicone insulated internal wire. IMQ approved. Working temperature -40°C to +180°C.
Terminal Block	Terminal block in GFR PA6.6 for cable with cross section up to 2.5 sqmm. VDE approved. Class1 luminaire provided with the earth connection.
Caution	Installation work has to be carried on according to the enclosed installation manual.
Color	 Black O1 Graphite O2 Dark Grey O3 Aluminum Silver O4 White O6

Light Distribution



*Due to the constancy of product development,
we reserve the right to alter all specification
without prior notice.

Unilamp Co., Ltd.
461 Ramintra Road, Kannayao, Bangkok 10230 Thailand
Tel : +66(0)2 943 2420-1, +66(0)2 946 4170-1
Fax : +66(0)2 943 2419
online@unilamp.co.th
www.unilamp.co.th

RETINA

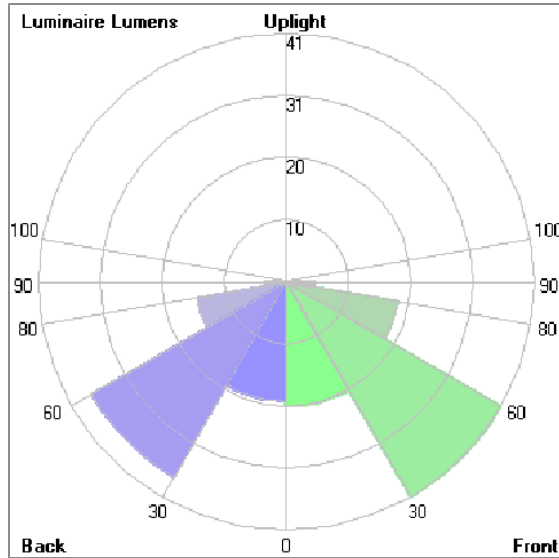
MINI HALF RETINA

WALL SURFACE MOUNT



LAST UPDATE: 26-03-2025

Bug Report



Lum. Classification System [LCS]

LCS	Zone	%Lumens	%Lamp	%Lum
FL	[0-30]	20.6	2.3	12.8
FM	[30-60]	40.9	4.5	25.4
FH	[60-80]	18.7	2.1	11.6
FVH	[80-90]	4.7	0.5	2.9
BL	[0-30]	19.7	2.2	12.2
BM	[30-60]	37.0	4.1	23.0
BH	[60-80]	15.0	1.7	9.3
BVH	[80-90]	3.4	0.4	2.1
UL	[90-100]	0.7	0.1	0.4
UH	[100-180]	0.0	0.0	0.0
Total		160.7	17.9	100.0
BUG Rating		BO-U1-GO		

*Due to the constancy of product development, we reserve the right to alter all specification without prior notice.