

# CETUS

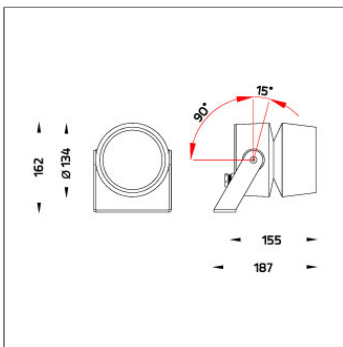
## MEDIUM CETUS – U BRACKET PROJECTOR



LAST UPDATE: 22-11-2024



CETUS is the next generation circular shaped projector designed for strict energy efficiency requirements as well as modular and versatile use cases. The control gear lifetime is extended by thermal isolation from the light source. The optional built in surge protection device reinforces CETUS ability to withstand toughest ambient conditions. CETUS is equipped with the UniBlockDelta-P-Guard to rapidly equalize pressure potential in case of rapidly changing ambient conditions. Ultra-tough silica-boron trioxide glass is used for superior chemical resistance and class leading IK09 impact resistance. The Unilamp modular solutions system allows adoption of CETUS to any type of installation requirement even years after delivery. Circular economy assessment according to CIBSE TM66 is available on request.



### Technical Data



|                       |                    |
|-----------------------|--------------------|
| Ordering Code :       | 5997-B-3-506-XX    |
| Lamp :                | LED                |
| Beam :                | 27°                |
| CCT :                 | 2700 K             |
| CRI :                 | CRI >80            |
| SDCM :                | SDCM = 3           |
| Lamp Lumen :          | 1680 lm            |
| Luminaire Lumen :     | 1100 lm            |
| Lamp Wattage :        | 10 W               |
| Luminaire Wattage :   | 11 W               |
| Efficacy :            | 100 lm/W           |
| Ambient Temperature : | 50°C               |
| Lumen Maintenance     | L70B10 >60,000 h   |
| Controller :          | On-Off             |
| Input Voltage :       | 220-240Vac 50/60Hz |
| Net Weight :          | 2.60 kg.           |

### Ordering code guide

XXXX-X-X-XXX-XX  
A B C D E

- A Product Code
- B Reflector
- C Electrical Component
- D Lamp
- E Color



Icon definition

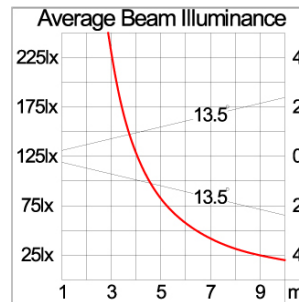
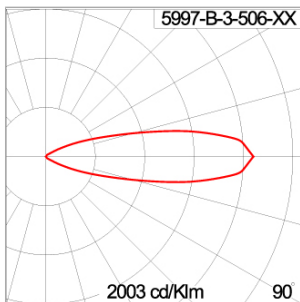
\*Due to the constancy of product development, we reserve the right to alter all specification without prior notice.

Unilamp Co., Ltd.  
461 Ramintra Road, Kannayao, Bangkok 10230 Thailand  
Tel : +66(O)2 943 2420-1, +66(O)2 946 4170-1  
Fax : +66(O)2 943 2419  
online@unilamp.co.th  
www.unilamp.co.th

### Specification

|   |   |   |          |   |             |   |              |   |                    |   |          |   |                 |
|---|---|---|----------|---|-------------|---|--------------|---|--------------------|---|----------|---|-----------------|
| IEC Standard  | IEC 60598-1 General Requirement<br>IEC 60598-2-1 Fixed Luminaires   |   |          |   |             |   |              |   |                    |   |          |   |                 |
| Protection  | IP66 Class I  |   |          |   |             |   |              |   |                    |   |          |   |                 |
| IK Rating   | Protection against mechanical impact IK10 on body and IK08 on optical part.   |   |          |   |             |   |              |   |                    |   |          |   |                 |
| Luminaires Body Housing   | High-pressure die cast aluminum alloy body and components.<br>Stamped 1100 Aluminum.  |   |          |   |             |   |              |   |                    |   |          |   |                 |
| Coating Process   | Nano Ceramic surface conversion, resistant to corrosive environment. Luminaire primarily coated with epoxy resin and top coated with UV stabilized polyester powder and cured in digital temperature controlled chamber at 200°C.   |   |          |   |             |   |              |   |                    |   |          |   |                 |
| Diffuser  | Impact resistant safety tempered glass cover. Able to withstand the temperature up to 250°C.  |   |          |   |             |   |              |   |                    |   |          |   |                 |
| Lens  | Molded PC lens from renowned manufacturers in various light distribution patterns.  |   |          |   |             |   |              |   |                    |   |          |   |                 |
| Adjustable Optic  | Adjustable aiming unit through graduated scale.   |   |          |   |             |   |              |   |                    |   |          |   |                 |
| Gasket  | Post-cured treated silicone gasket. Temperature and weather resistant. Working temperature -40°C to +200°C.   |   |          |   |             |   |              |   |                    |   |          |   |                 |
| External Screws   | External screws are in stainless steel with protection grease.  |   |          |   |             |   |              |   |                    |   |          |   |                 |
| Cable Entry   | Cable entry protected by M20 cable gland. To be used with H05RN-F/ H07RN-F cable with 7-13mm. diameter.   |   |          |   |             |   |              |   |                    |   |          |   |                 |
| Led   | High efficiency LED module in COB technology. Assembled on MCPCB and mounted on to heat conductive material.  |   |          |   |             |   |              |   |                    |   |          |   |                 |
| Driver  | High quality constant current LED driver. Conform to safety standard and electromagnetic compatibility standard.  |   |          |   |             |   |              |   |                    |   |          |   |                 |
| Enhanced Protection   | The luminaire is equipped with a 10kV surge protection device, the function of the protector is indicated by a LED, performance in compliance with IEC61643-11.   |   |          |   |             |   |              |   |                    |   |          |   |                 |
| Internal Wire   | Tinned copper conductor with silicone insulated internal wire. IMQ approved. Working temperature -40°C to +180°C.   |   |          |   |             |   |              |   |                    |   |          |   |                 |
| Terminal Block  | Terminal block in GFR PA6.6 for cable with cross section up to 2.5 sqmm. VDE approved.<br>Class1 luminaire provided with the earth connection.  |   |          |   |             |   |              |   |                    |   |          |   |                 |
| Pre-Wire Cable  | Pre-wired with 3x1.0 sqmm. H07RN-F neoprene cable. IMQ approved.  |   |          |   |             |   |              |   |                    |   |          |   |                 |
| Caution   | Installation work has to be carried on according to the enclosed installation manual.   |   |          |   |             |   |              |   |                    |   |          |   |                 |
| Color   | <table border="0"> <tr><td></td><td>Black O1</td></tr> <tr><td></td><td>Graphite O2</td></tr> <tr><td></td><td>Dark Grey O3</td></tr> <tr><td></td><td>Aluminum Silver O4</td></tr> <tr><td></td><td>White O6</td></tr> <tr><td></td><td>Wooden Brown O7</td></tr> </table> |  | Black O1 |  | Graphite O2 |  | Dark Grey O3 |  | Aluminum Silver O4 |  | White O6 |  | Wooden Brown O7 |
|  | Black O1  |   |          |   |             |   |              |   |                    |   |          |   |                 |
|  | Graphite O2   |   |          |   |             |   |              |   |                    |   |          |   |                 |
|  | Dark Grey O3  |   |          |   |             |   |              |   |                    |   |          |   |                 |
|  | Aluminum Silver O4  |   |          |   |             |   |              |   |                    |   |          |   |                 |
|  | White O6  |   |          |   |             |   |              |   |                    |   |          |   |                 |
|  | Wooden Brown O7   |   |          |   |             |   |              |   |                    |   |          |   |                 |

### Light Distribution



# CETUS

## MEDIUM CETUS – U BRACKET PROJECTOR



LAST UPDATE: 22-11-2024

### Accessories



Ordering Code:  
AUN-CON-0009-00  
IP68 connection device,  
cable diameter 5-9.5mm,  
On-Off



Ordering Code:  
AUN-CON-0013-00  
IP68 connection device,  
cable diameter 7-11.5mm,  
On-Off



Ordering Code:  
AUN-GSH-0043-00  
Honeycomb louver, COB,  
pre-assembly from factory



Ordering Code:  
AUN-GSH-0048-XX  
Glare shield cap,  
pre-assembly from factory



Ordering Code:  
AUN-GSH-0050-XX  
Snoot, pre-assembly from  
factory



Ordering Code:  
AUN-SUR-0002-00  
Surge protection, 10kV,  
DALI, pre-assembly from  
factory