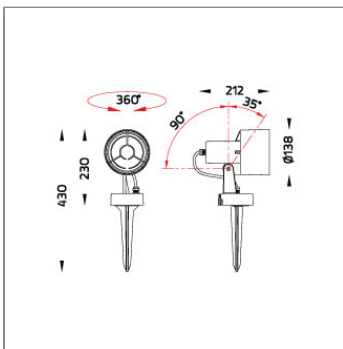




SIGMA is a medium sized projector designed for conventional E27 or LED retrofit lamps. The projector is available as a surface mounted projector or as a set with a ground spike. The innovative weatherproof sealing of the lamp makes it easy replace the light source. SIGMA is ideally suited for illuminating trees, small signs, and architectural features.



Technical Data



Ordering Code :	5904-0-2-263-XX
Lamp :	PAR38 or LED Retrofit
Socket :	E27
Lamp Wattage :	20 W
Ambient Temperature :	25°C
Controller :	On-Off
Input Voltage :	220-240Vac 50/60Hz
Net Weight :	- kg.

Ordering code guide


XXXX-X-X-XXX-XX
 A B C D E

- A Product Code
- B Reflector
- C Electrical Component
- D Lamp
- E Color



Icon definition

Specification

IEC Standard	IEC 60598-1 General Requirement IEC 60598-2-1 Fixed Luminaires
Protection	IP54 Class I
Luminaires Body Housing	High-pressure Die Cast Aluminium alloy body and components.
Coating Process	UV stablized polyester powder coat.
Gasket	Durable silicone gasket
External Screws	External screws made of stainless steel
Lamp Holder	E27 lampholder
Caution	Installation work has to be carried on according to the enclosed installation manual.
Color	 Black 01 Graphite 02 Dark Grey 03 Aluminum Silver 04 White 06

Light Distribution

